

ECON® Ball valve Type: 7744 Stainless steel Internal thread (NPT) 1000 PSI WOG



Characteristics

- Type:** 7744
- Norm:** ASME
- Construction type:** 2-way
- Housing construction:** 1-part
- Housing material:** Stainless steel
- Material quality:** 1.4408
- Connection:** Internal thread (NPT)
- Primary spindle seal material:** PTFE
- Tertiary spindle seal material:** PTFE
- Actuator material:** 1.4301
- Minimum medium temperature (continuous):** -10 °C
- Maximum medium temperature (continuous):** 205 °C

Application

- Light industrial applications up to 68 bar.

Technical Information

- Connection according to ASME B1.20.1 NPT.
- Floating ball.
- Pressure class 1000 PSI WOG
- In sizes 1/4" - 2".

Construction

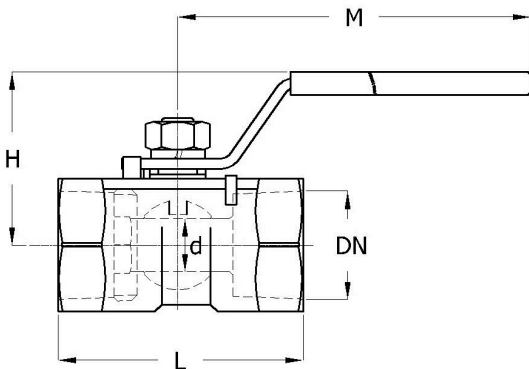
- One-piece housing construction.
- Reduced bore.

Options

- Connection in BSP according to ISO 228-1.

Size table:

DN	d	L	H	M	Weight
	mm	mm	mm	mm	kg
1/4" [8]	5	39	33	71	0.1
3/8" [10]	7	44	35	93	0.1
1/2" [15]	9.2	55	40	95	0.2
3/4" [20]	12.5	59	44	95	0.3
1" [25]	15	69	50	113	0.4
1.1/4" [32]	20	77	57	113	0.6
1.1/2" [40]	25	81	64	141	0.8
2" [50]	32	97	68	141	1.2



Pressure and temperature range

Size	Temperature range	-10	38	100	150	200	[°C]
1/4" - 2"	-10°C/+200°C	68	68	44	22	1	[bar]

Pressure class 1000 PSI WOG

Nominal inner diameter	Standard thread connection	Pressure rating	Face to Face norm	Manual operation	Bore	With locking device	Material ball	Seat material	Spindle material	Article
1/4" [8]	ASME B1.20.1	1000 PSI WOG	Manufacturer standard	Handle	Reduced bore	No	1.4408	PTFE	1.4401	12427441
3/8" [10]	ASME B1.20.1	1000 PSI WOG	Manufacturer standard	Handle	Reduced bore	No	1.4408	PTFE	1.4401	12427442

Disclaimer: The content of this document has been composed with the utmost care. However, it is possible that certain information changes over time, becomes inaccurate or incomplete. ERIKS does not guarantee that the information provided on this document is up to date, accurate and complete; the information provided is not intended to be advice. ERIKS shall never be liable for damage resulting from the use of the information provided.

Ball Valves | Ball valves with threaded connection

Nominal inner diameter	Standard thread connection	Pressure rating	Face to Face norm	Manual operation	Bore	With locking device	Material ball	Seat material	Spindle material	Article
1/2" [15]	ASME B1.20.1	1000 PSI WOG	Manufacturer standard	Handle	Reduced bore	No	1.4408	PTFE	1.4401	12427443
3/4" [20]	ASME B1.20.1	1000 PSI WOG	Manufacturer standard	Handle	Reduced bore	No	1.4408	PTFE	1.4401	12427444
1" [25]	ASME B1.20.1	1000 PSI WOG	Manufacturer standard	Handle	Reduced bore	No	1.4408	PTFE	1.4401	12427445
1.1/4" [32]	ASME B1.20.1	1000 PSI WOG	Manufacturer standard	Handle	Reduced bore	No	1.4408	PTFE	1.4401	12427446
1.1/2" [40]	ASME B1.20.1	1000 PSI WOG	Manufacturer standard	Handle	Reduced bore	No	1.4408	PTFE	1.4401	12427447
2" [50]	ASME B1.20.1	1000 PSI WOG	Manufacturer standard	Handle	Reduced bore	No	1.4408	PTFE	1.4401	12427448

Disclaimer: The content of this document has been composed with the utmost care. However, it is possible that certain information changes over time, becomes inaccurate or incomplete. ERIKS does not guarantee that the information provided on this document is up to date, accurate and complete; the information provided is not intended to be advice. ERIKS shall never be liable for damage resulting from the use of the information provided.