



## ECON® Bimetal thermometer fig. 681 stainless steel/stainless steel insert

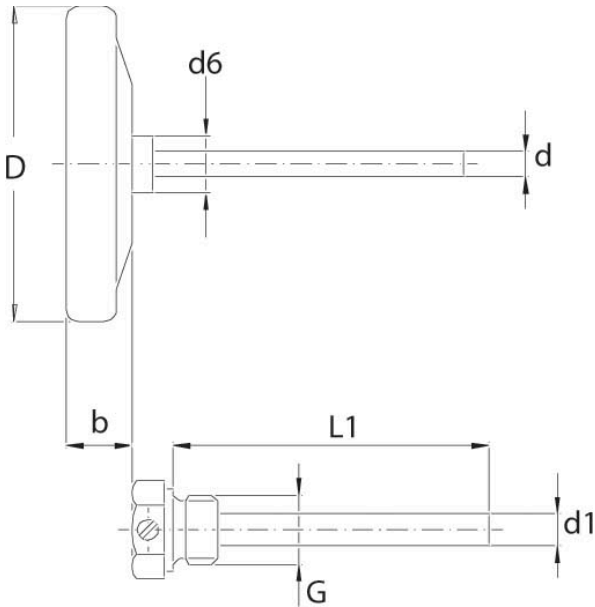
### Characteristics

**Type:** 681  
**Accuracy class:** Class 1 EN 13190  
**Connection location:** Back  
**Process connection:** Insert  
**With pocket tube:** Yes  
**Cabinet material:** Stainless steel  
**Process connection material:** Stainless steel

**Window material:** Glass  
**Material dial:** Aluminium  
**Maximum operating pressure [Bar]:** 25 bar  
**Level of protection (IP value):** IP43

### Application

- Recommended in: Utilities



### Size table:

Cabinet diameter	L1	D	b	d	d1	d6	SW	G
	mm	mm	mm	mm	mm	mm	mm	in
R63	45/63/1-00/160	63	16	8	10	18	27	1/2"
R80	45/63/1-00/160	80	17	8	10	18	27	1/2"
R100	45/63/1-00/160	100	21	8	10	18	27	1/2"

Measuring range °C	Cabinet diameter mm	Size process connection	Insert length mm	Sensor diameter mm	Ring material	Sensor material	Pocket tube material	Article
0 / 60	63	8 mm	100	8	Stainless steel	Stainless steel	Stainless steel	13388572
0 / 60	80	8 mm	160	8	Stainless steel	Stainless steel	Stainless steel	13446273
0 / 120	63	8 mm	45	8	Stainless steel	Stainless steel	Stainless steel	11811579
0 / 120	63	8 mm	63	8	Stainless steel	Stainless steel	Stainless steel	11811580
0 / 120	100	8 mm	63	8	Stainless steel	Stainless steel	Stainless steel	11811581
0 / 120	100	8 mm	100	8	Stainless steel	Stainless steel	Stainless steel	11811582
0 / 80	63	8 mm	45	8	Stainless steel	Stainless steel	Stainless steel	13486612

Disclaimer: The content of this document has been composed with the utmost care. However, it is possible that certain information changes over time, becomes inaccurate or incomplete. ERIKS does not guarantee that the information provided on this document is up to date, accurate and complete; the information provided is not intended to be advice. ERIKS shall never be liable for damage resulting from the use of the information provided.