



ECON® Bimetal thermometer fig. 21000 steel, galvanised/ brass insert

Characteristics

Type: 21000
Accuracy class: Class 1.6 EN 13190
Connection location: Back
Process connection: External thread
With pocket tube: Yes
Cabinet material: Steel, galvanised
Process connection material: Brass
Window material: Glass
Material dial: Aluminium
Maximum operating pressure [Bar]: 25 bar

Level of protection (IP value): IP43

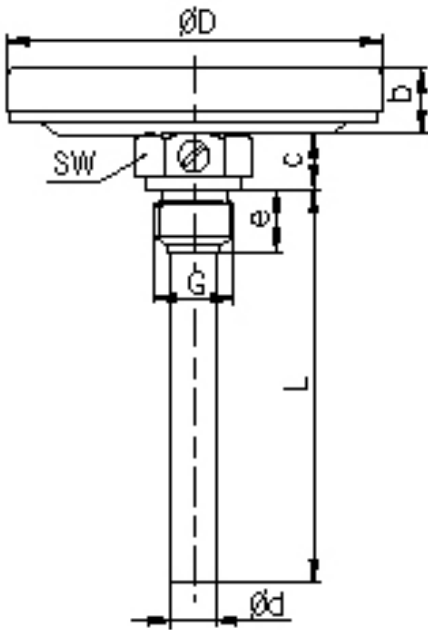
Application

- General industry.
- Installation technology.

Technical Information

- Removable brass pocket tube by means of locking screw.
- Zero point adjustment at backside insert.

Size table:



Cabinet diameter	ØD	L	b	c	e	SW	G
	mm	mm	mm	mm	mm	mm	in
R63	63	45	13	11	12	21	1/2"
R63	63	63	13	11	12	21	1/2"
R63	63	100	13	11	12	21	1/2"
R80	80	45	13	11	12	21	1/2"
R80	80	100	13	11	12	21	1/2"
R100	100	45	15	11	12	21	1/2"
R100	100	100	15	11	12	21	1/2"
R80	80	50	13	11	12	21	1/2"
R80	80	75	13	11	12	21	1/2"
R100	100	63	15	11	12	21	1/2"
R50	50	45	12	11	12	21	1/2"
R63	63	400	13	11	12	21	1/2"
R80	80	63	13	11	12	21	1/2"
R100	100	160	15	11	12	21	1/2"
R63	63	200	13	11	12	21	1/2"
R100	100	200	15	11	12	21	1/2"

Measuring range °C	Cabinet diameter mm	Size process connection	Insert length mm	Sensor diameter mm	Diameter pocket tube mm	Ring material	Sensor material	Pocket tube material	Article
-30 / 50	63	1/2" BSPP(G)	45	9	12	Steel, nickel plated	Brass	Brass	11131689
-30 / 50	63	1/2" BSPP(G)	63	9	12	Steel, nickel plated	Brass	Brass	11032932
-30 / 50	63	1/2" BSPP(G)	100	9	12	Steel, nickel plated	Brass	Brass	11288826
-30 / 50	80	1/2" BSPP(G)	45	9	12	Steel, nickel plated	Brass	Brass	11458144

Disclaimer: The content of this document has been composed with the utmost care. However, it is possible that certain information changes over time, becomes inaccurate or incomplete. ERIKS does not guarantee that the information provided on this document is up to date, accurate and complete; the information provided is not intended to be advice. ERIKS shall never be liable for damage resulting from the use of the information provided.

Measuring range °C	Cabinet diameter mm	Size process connection	Insert length mm	Sensor diameter mm	Diameter pocket tube mm	Ring material	Sensor material	Pocket tube material	Article
-30 / 50	80	1/2" BSPP(G)	100	9	12	Steel, nickel plated	Brass	Brass	11124469
-30 / 50	100	1/2" BSPP(G)	45	9	12	Steel, nickel plated	Brass	Brass	11125174
-30 / 50	100	1/2" BSPP(G)	100	9	12	Steel, nickel plated	Brass	Brass	10060331
0 / 60	63	1/2" BSPP(G)	45	9	12	Steel, nickel plated	Brass	Brass	11092023
0 / 60	63	1/2" BSPP(G)	63	9	12	Steel, nickel plated	Brass	Brass	11040933
0 / 60	63	1/2" BSPP(G)	100	9	12	Steel, nickel plated	Brass	Brass	11082958
0 / 60	80	1/2" BSPP(G)	50	9	12	Steel, nickel plated	Brass	Brass	11040991
0 / 60	80	1/2" BSPP(G)	75	9	12	Steel, nickel plated	Brass	Brass	11018698
0 / 60	100	1/2" BSPP(G)	45	9	12	Steel, nickel plated	Brass	Brass	11071281
0 / 60	100	1/2" BSPP(G)	63	9	12	Steel, nickel plated	Brass	Brass	11283398
0 / 60	100	1/2" BSPP(G)	100	9	12	Steel, nickel plated	Brass	Brass	10060332
0 / 100	50	1/2" BSPP(G)	45	9	12	Steel, nickel plated	Brass	Brass	10060356
0 / 120	63	1/2" BSPP(G)	45	9	12	Steel, nickel plated	Brass	Brass	11013871
0 / 120	63	1/2" BSPP(G)	63	9	12	Steel, nickel plated	Brass	Brass	10060357
0 / 120	63	1/2" BSPP(G)	100	9	12	Steel, nickel plated	Brass	Brass	10060358
0 / 120	63	1/2" BSPP(G)	400	9	12	Steel, nickel plated	Brass	Brass	11128745
0 / 120	80	1/2" BSPP(G)	45	9	12	Steel, nickel plated	Brass	Brass	11041150
0 / 120	80	1/2" BSPP(G)	63	9	12	Steel, nickel plated	Brass	Brass	11040992
0 / 120	80	1/2" BSPP(G)	100	9	12	Steel, nickel plated	Brass	Brass	11047128
0 / 120	100	1/2" BSPP(G)	45	9	12	Steel, nickel plated	Brass	Brass	10060359
0 / 120	100	1/2" BSPP(G)	63	9	12	Steel, nickel plated	Brass	Brass	10060362
0 / 120	100	1/2" BSPP(G)	100	9	12	Steel, nickel plated	Brass	Brass	10060366
0 / 120	100	1/2" BSPP(G)	160	9	12	Steel, nickel plated	Brass	Brass	11011342
0 / 160	100	1/2" BSPP(G)	63	9	12	Steel, nickel plated	Brass	Brass	10060363
0 / 200	100	1/2" BSPP(G)	63	9	12	Steel, nickel plated	Brass	Brass	10060364
0 / 250	63	1/2" BSPP(G)	200	9	12	Steel, nickel plated	Brass	Brass	11053445
0 / 250	100	1/2" BSPP(G)	200	9	12	Steel, nickel plated	Brass	Brass	10060367
-20 / 60	63	1/2" BSPP(G)	45	9	12	Steel, nickel plated	Brass	Brass	11308155
-20 / 60	63	1/2" BSPP(G)	63	9	12	Steel, nickel plated	Brass	Brass	11248610
-20 / 60	80	1/2" BSPP(G)	63	9	12	Steel, nickel plated	Brass	Brass	11089996
-20 / 60	100	1/2" BSPP(G)	45	9	12	Steel, nickel plated	Brass	Brass	11227438
-20 / 60	100	1/2" BSPP(G)	63	9	12	Steel, nickel plated	Brass	Brass	10060360
-20 / 60	100	1/2" BSPP(G)	100	9	12	Steel, nickel plated	Brass	Brass	10060365

Disclaimer: The content of this document has been composed with the utmost care. However, it is possible that certain information changes over time, becomes inaccurate or incomplete. ERIKS does not guarantee that the information provided on this document is up to date, accurate and complete; the information provided is not intended to be advice. ERIKS shall never be liable for damage resulting from the use of the information provided.