

## ECON® Bimetal thermometer fig. 11000 steel/brass insert



### Characteristics

**Type:** 11000  
**Accuracy class:** Class 2 EN 13190  
**Connection location:** Back  
**Process connection:** External thread  
**With pocket tube:** Yes  
**Cabinet material:** Steel, galvanized  
**Window material:** Glass  
**Material dial:** Aluminium  
**Maximum operating pressure [Bar]:** 25 bar  
**Level of protection [IP value]:** IP43

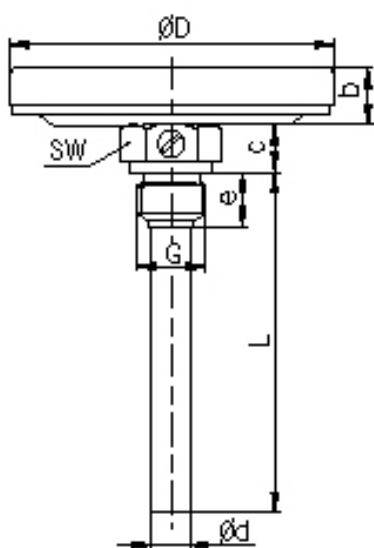
### Application

- General industry.
- Climate industry.
- Warming industry (up to 120 °C).

### Technical Information

- Removable brass pocket tube by means of locking screw.
- Zero point adjustment at backside insert.

### Size table:



| Cabinet diameter | Insert       | ØD  | b  | c  | d  | e  | SW | G    |
|------------------|--------------|-----|----|----|----|----|----|------|
|                  | mm           | mm  | mm | mm | mm | mm | mm | in   |
| R63              | 45,63,100    | 63  | 13 | 11 | 12 | 12 | 21 | 1/2" |
| R80              | 45,63,80,100 | 80  | 13 | 11 | 12 | 12 | 21 | 1/2" |
| R100             | 28,45,63,100 | 100 | 15 | 11 | 12 | 12 | 21 | 1/2" |

| Measuring range | Cabinet diameter | Size process connection | Insert length | Sensor diameter | Diameter pocket tube | Ring material        | Process connection material | Sensor material | Pocket tube material | Article  |
|-----------------|------------------|-------------------------|---------------|-----------------|----------------------|----------------------|-----------------------------|-----------------|----------------------|----------|
| °C              | mm               |                         | mm            | mm              | mm                   |                      |                             |                 |                      |          |
| -30 / 50        | 63               | 1/2" BSPP[G]            | 45            | 9               | 12                   | Steel, nickel plated | Brass                       | Brass           | Brass                | 11556297 |
| 0 / 120         | 63               | 1/2" BSPP[G]            | 45            | 9               | 12                   | Steel, nickel plated | Brass                       | Brass           | Brass                | 10060344 |
| 0 / 120         | 63               | 1/2" BSPP[G]            | 63            | 9               | 12                   | Steel, nickel plated | Brass                       | Brass           | Brass                | 10060345 |
| 0 / 120         | 63               | 1/2" BSPP[G]            | 100           | 9               | 12                   | Steel, nickel plated | Brass                       | Brass           | Brass                | 10060346 |
| 0 / 120         | 80               | 1/2" BSPP[G]            | 45            | 9               | 12                   | Steel, nickel plated | Brass                       | Brass           | Brass                | 10060347 |
| 0 / 120         | 80               | 1/2" BSPP[G]            | 63            | 9               | 12                   | Steel, nickel plated | Brass                       | Brass           | Brass                | 10060348 |
| 0 / 120         | 80               | 1/2" BSPP[G]            | 100           | 9               | 12                   | Steel, nickel plated | Brass                       | Brass           | Brass                | 10060349 |
| 0 / 120         | 100              | 1/2" BSPP[G]            | 28            | 9               | 12                   | Steel, nickel plated | Brass                       | Brass           | Brass                | 11040794 |

Disclaimer: The content of this document has been composed with the utmost care. However, it is possible that certain information changes over time, becomes inaccurate or incomplete. ERIKS does not guarantee that the information provided on this document is up to date, accurate and complete; the information provided is not intended to be advice. ERIKS shall never be liable for damage resulting from the use of the information provided.

| Measuring range | Cabinet diameter | Size process connection | Insert length | Sensor diameter | Diameter pocket tube | Ring material        | Process connection material | Sensor material | Pocket tube material | Article  |
|-----------------|------------------|-------------------------|---------------|-----------------|----------------------|----------------------|-----------------------------|-----------------|----------------------|----------|
| °C              | mm               |                         | mm            | mm              | mm                   |                      |                             |                 |                      |          |
| 0 / 120         | 100              | 1/2" BSPP[G]            | 45            | 9               | 12                   | Steel, nickel plated | Brass                       | Brass           | Brass                | 10060350 |
| 0 / 120         | 100              | 1/2" BSPP[G]            | 63            | 9               | 12                   | Steel, nickel plated | Brass                       | Brass           | Brass                | 10060351 |
| 0 / 120         | 100              | 1/2" BSPP[G]            | 100           | 9               | 12                   | Steel, nickel plated | Brass                       | Brass           | Brass                | 10060352 |

Disclaimer: The content of this document has been composed with the utmost care. However, it is possible that certain information changes over time, becomes inaccurate or incomplete. ERIKS does not guarantee that the information provided on this document is up to date, accurate and complete; the information provided is not intended to be advice. ERIKS shall never be liable for damage resulting from the use of the information provided.