

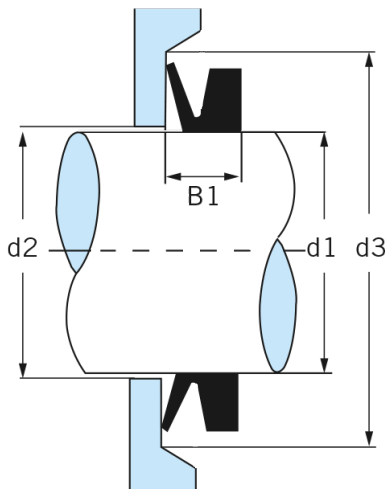
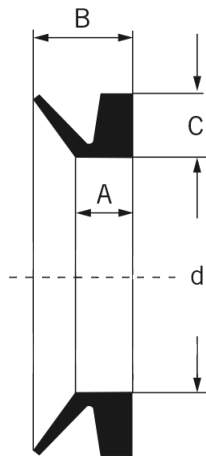
## ERIKS V-ring type L



The ERIKS V-ring type L with an upright rear face is used as an axial shaft seal for pressureless applications. The seal fits tightly around the shaft in your application. The flexible sealing lip seals against a machined surface perpendicular to the shaft. As a result, this V-ring seal keeps dirt, dust and splashing water from entering the system. This product has a small installation length, making it suitable for applications with limited space. This V-ring seal is available in FKM and NBR. Note that NBR is not resistant to UV radiation and ozone. Are you looking for a larger product? Choose the ERIKS V-ring type A or E. If your application involves harsh conditions, the type E is a good option.

### Characteristics

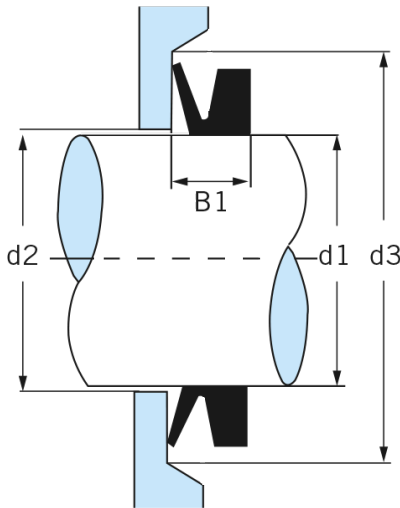
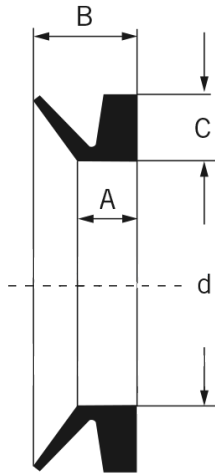
Type: L



### Size table:

Designation	d1 mm	d mm	C mm	A mm	B mm	d2 (max) mm	d3 (min) mm	B1 mm
V-110L	105 - 115	99	6.5	6	10.5	d1 + 5	d1 + 20	8.0 ± 1.5
V-120L	115 - 125	108	6.5	6	10.5	d1 + 5	d1 + 20	8.0 ± 1.5
V-130L	125 - 135	117	6.5	6	10.5	d1 + 5	d1 + 20	8.0 ± 1.5
V-140L	135 - 145	126	6.5	6	10.5	d1 + 5	d1 + 20	8.0 ± 1.5
V-150L	145 - 155	135	6.5	6	10.5	d1 + 5	d1 + 20	8.0 ± 1.5
V-160L	155 - 165	144	6.5	6	10.5	d1 + 5	d1 + 20	8.0 ± 1.5
V-170L	165 - 175	153	6.5	6	10.5	d1 + 5	d1 + 20	8.0 ± 1.5
V-180L	175 - 185	162	6.5	6	10.5	d1 + 5	d1 + 20	8.0 ± 1.5
V-190L	185 - 195	171	6.5	6	10.5	d1 + 5	d1 + 20	8.0 ± 1.5
V-200L	195 - 210	182	6.5	6	10.5	d1 + 5	d1 + 20	8.0 ± 1.5
V-220L	210 - 233	198	6.5	6	10.5	d1 + 5	d1 + 20	8.0 ± 1.5
V-250L	233 - 260	225	6.5	6	10.5	d1 + 5	d1 + 20	8.0 ± 1.5
V-275L	260 - 285	247	6.5	6	10.5	d1 + 5	d1 + 20	8.0 ± 1.5
V-300L	285 - 310	270	6.5	6	10.5	d1 + 5	d1 + 20	8.0 ± 1.5
V-325L	310 - 335	292	6.5	6	10.5	d1 + 5	d1 + 20	8.0 ± 1.5
V-350L	335 - 365	315	6.5	6	10.5	d1 + 5	d1 + 20	8.0 ± 1.5
V-375L	365 - 385	337	6.5	6	10.5	d1 + 5	d1 + 20	8.0 ± 1.5

Disclaimer: The content of this document has been composed with the utmost care. However, it is possible that certain information changes over time, becomes inaccurate or incomplete. ERIKS does not guarantee that the information provided on this document is up to date, accurate and complete; the information provided is not intended to be advice. ERIKS shall never be liable for damage resulting from the use of the information provided.



Size table:

Designation	d1	d	C	A	B	d2 [max]	d3 [min]	B1
V-400L	385 - 410	360	6.5	6	10.5	d1 + 5	d1 + 20	8.0 ± 1.5
V-425L	410 - 440	382	6.5	6	10.5	d1 + 5	d1 + 20	8.0 ± 1.5
V-450L	440 - 475	405	6.5	6	10.5	d1 + 5	d1 + 20	8.0 ± 1.5
V-500L	475 - 510	450	6.5	6	10.5	d1 + 5	d1 + 20	8.0 ± 1.5
V-525L	510 - 540	472	6.5	6	10.5	d1 + 5	d1 + 20	8.0 ± 1.5
V-550L	540 - 565	495	6.5	6	10.5	d1 + 5	d1 + 20	8.0 ± 1.5
V-600L	585 - 625	540	6.5	6	10.5	d1 + 5	d1 + 20	8.0 ± 1.5
V-650L	625 - 675	600	6.5	6	10.5	d1 + 5	d1 + 20	8.0 ± 1.5
V-700L	675 - 710	630	6.5	6	10.5	d1 + 5	d1 + 20	8.0 ± 1.5
V-725L	710 - 740	670	6.5	6	10.5	d1 + 5	d1 + 20	8.0 ± 1.5
V-750L	740 - 775	705	6.5	6	10.5	d1 + 5	d1 + 20	8.0 ± 1.5
V-800L	775 - 825	745	6.5	6	10.5	d1 + 5	d1 + 20	8.0 ± 1.5
V-850L	825 - 875	785	6.5	6	10.5	d1 + 5	d1 + 20	8.0 ± 1.5
V-900L	875 - 925	825	6.5	6	10.5	d1 + 5	d1 + 20	8.0 ± 1.5
V-950L	925 - 975	865	6.5	6	10.5	d1 + 5	d1 + 20	8.0 ± 1.5

Designation	Material	Temperature °C	Article
V-110L	NBR	-35 / 100	11517162
V-120L	NBR	-35 / 100	11096170
V-130L	NBR	-35 / 100	11119879
V-140L	FKM	-25 / 200	11171274
V-140L	NBR	-35 / 100	10014259
V-150L	FKM	-25 / 200	10014129
V-150L	NBR	-35 / 100	10014260
V-160L	FKM	-25 / 200	11171275
V-160L	NBR	-35 / 100	10014261
V-170L	FKM	-25 / 200	11171276
V-170L	NBR	-35 / 100	10014262
V-180L	FKM	-25 / 200	11171277
V-180L	NBR	-35 / 100	10014263
V-190L	NBR	-35 / 100	10014264
V-200L	FKM	-25 / 200	11161720
V-200L	NBR	-35 / 100	10014265
V-220L	FKM	-25 / 200	11074927
V-220L	NBR	-35 / 100	10014266

Disclaimer: The content of this document has been composed with the utmost care. However, it is possible that certain information changes over time, becomes inaccurate or incomplete. ERIKS does not guarantee that the information provided on this document is up to date, accurate and complete; the information provided is not intended to be advice. ERIKS shall never be liable for damage resulting from the use of the information provided.

Designation	Material	Temperature °C	Article
V-250L	FKM	-25 / 200	11458378
V-250L	NBR	-35 / 100	10014267
V-275L	FKM	-25 / 200	11014091
V-275L	NBR	-35 / 100	10014268
V-300L	FKM	-25 / 200	11075375
V-300L	NBR	-35 / 100	10014269
V-325L	FKM	-25 / 200	10014120
V-325L	NBR	-35 / 100	10014270
V-350L	FKM	-25 / 200	11101908
V-350L	NBR	-35 / 100	10014271
V-375L	FKM	-25 / 200	10014121
V-375L	NBR	-35 / 100	10014272
V-400L	FKM	-25 / 200	11151377
V-400L	NBR	-35 / 100	10014273
V-425L	FKM	-25 / 200	11935132
V-425L	NBR	-35 / 100	11056513
V-450L	FKM	-25 / 200	11727938
V-450L	NBR	-35 / 100	11019703
V-500L	NBR	-35 / 100	11180312
V-525L	FKM	-25 / 200	11380892
V-525L	NBR	-35 / 100	12703109
V-550L	FKM	-25 / 200	11380893
V-550L	NBR	-35 / 100	11267272
V-600L	NBR	-35 / 100	11659162
V-650L	NBR	-35 / 100	11056527
V-700L	NBR	-35 / 100	11267271
V-725L	NBR	-35 / 100	11153689
V-750L	FKM	-25 / 200	11454151
V-750L	NBR	-35 / 100	11056694
V-800L	FKMFKM	-25 / 200	11454266
V-850L	NBR	-35 / 100	11332130
V-900L	FKM	-25 / 200	13953221
V-950L	NBR	-35 / 100	14476604

Disclaimer: The content of this document has been composed with the utmost care. However, it is possible that certain information changes over time, becomes inaccurate or incomplete. ERIKS does not guarantee that the information provided on this document is up to date, accurate and complete; the information provided is not intended to be advice. ERIKS shall never be liable for damage resulting from the use of the information provided.