

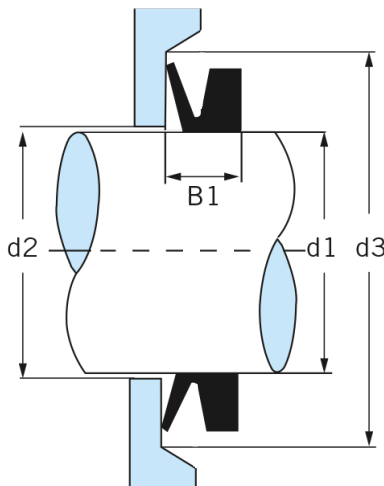
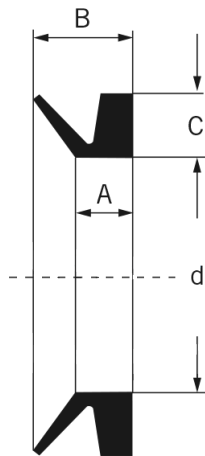
ERIKS V-ring type A



The ERIKS V-ring type A with an upright rear face is used as an axial shaft seal for pressureless applications. This product has a relatively short installation length. The seal is a tight fit around the shaft in your application. The flexible sealing lip seals against a machined surface perpendicular to the shaft. The V-ring seal type A keeps dirt, dust and splashing water from entering your system. This V-ring seal is available in EPDM, FKM, HNBR and NBR. Note that NBR is not resistant to UV radiation and ozone. Are you looking for a smaller product? Choose the ERIKS V-ring type L. Or, if you need a larger seal, choose the type S or E.

Characteristics

Type: A



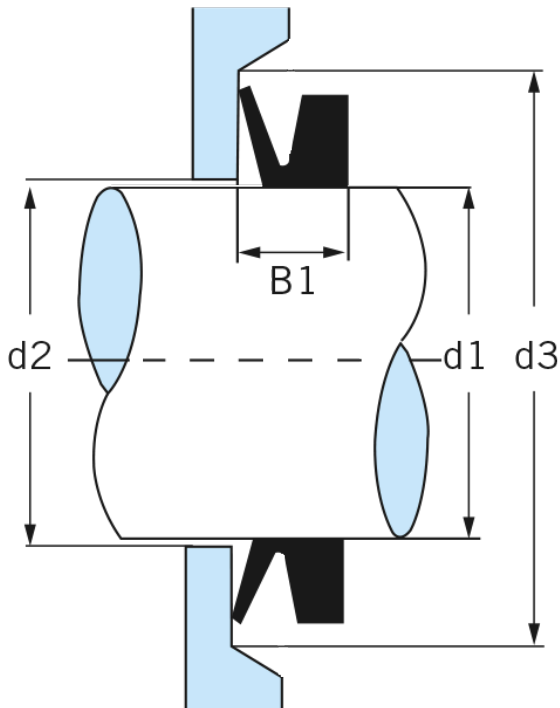
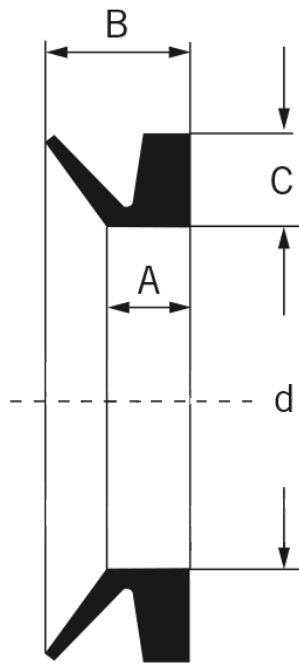
Size table:

Designation	d1 mm	d mm	C mm	A mm	B mm	d2 (max) mm	d3 (min) mm	B1 mm
V-3A	2.7 - 3.5	2.5	1.5	2.1	3	d1 + 1	d1 + 4	2.5 ± 0.3
V-4A	3.5 - 4.5	3.2	2	2.4	3.7	d1 + 1	d1 + 6	3.0 ± 0.4
V-5A	4.5 - 5.5	4	2	2.4	3.7	d1 + 1	d1 + 6	3.0 ± 0.4
V-6A	5.5 - 6.5	5	2	2.4	3.7	d1 + 1	d1 + 6	3.0 ± 0.4
V-7A	6.5 - 8.0	6	2	2.4	3.7	d1 + 1	d1 + 6	3.0 ± 0.4
V-8A	8.0 - 9.5	7	2	2.4	3.7	d1 + 1	d1 + 6	3.0 ± 0.4
V-10A	9.5 - 11.5	9	3	3.4	5.5	d1 + 2	d1 + 9	4.5 ± 0.6
V-12A	11.5 - 12.5	10.5	3	3.4	5.5	d1 + 2	d1 + 9	4.5 ± 0.6
V-13A	12.5 - 13.5	11.7	3	3.4	5.5	d1 + 2	d1 + 9	4.5 ± 0.6
V-14A	13.5 - 15.5	12.5	3	3.4	5.5	d1 + 2	d1 + 9	4.5 ± 0.6
V-16A	15.5 - 17.5	14	3	3.4	5.5	d1 + 2	d1 + 9	4.5 ± 0.6
V-18A	17.5 - 19.0	16	3	3.4	5.5	d1 + 2	d1 + 12	6.0 ± 0.8
V-20A	19 - 21	18	4	4.7	7.5	d1 + 2	d1 + 12	6.0 ± 0.8
V-22A	21 - 24	20	4	4.7	7.5	d1 + 2	d1 + 12	6.0 ± 0.8

Disclaimer: The content of this document has been composed with the utmost care. However, it is possible that certain information changes over time, becomes inaccurate or incomplete. ERIKS does not guarantee that the information provided on this document is up to date, accurate and complete; the information provided is not intended to be advice. ERIKS shall never be liable for damage resulting from the use of the information provided.

Size table:

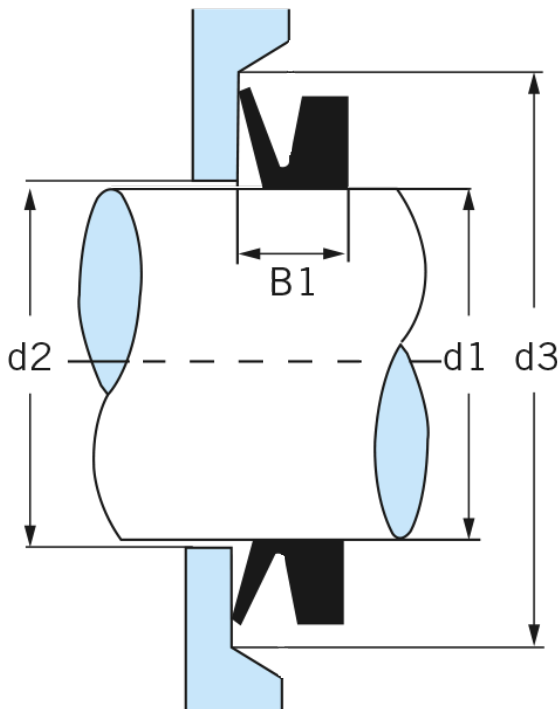
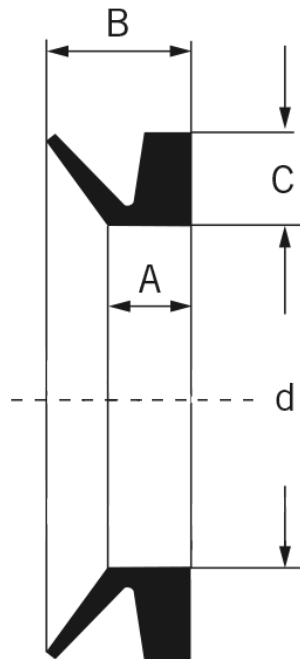
Designation	d1	d	C	A	B	d2 [max]	d3 [min]	B1
V-25A	24 - 27	22	4	4.7	7.5	d1 + 2	d1 + 12	6.0 ± 0.8
V-28A	27 - 29	25	4	4.7	7.5	d1 + 3	d1 + 12	6.0 ± 0.8
V-30A	29 - 31	27	4	4.7	7.5	d1 + 3	d1 + 12	6.0 ± 0.8
V-32A	31 - 33	29	4	4.7	7.5	d1 + 3	d1 + 12	6.0 ± 0.8
V-35A	33 - 36	31	4	4.7	7.5	d1 + 3	d1 + 12	6.0 ± 0.8
V-38A	36 - 38	34	4	4.7	7.5	d1 + 3	d1 + 12	6.0 ± 0.8
V-40A	38 - 43	36	5	5.5	9	d1 + 3	d1 + 15	7.0 ± 1.0
V-45A	43 - 48	40	5	5.5	9	d1 + 3	d1 + 15	7.0 ± 1.0
V-50A	48 - 53	45	5	5.5	9	d1 + 3	d1 + 15	7.0 ± 1.0
V-55A	53 - 58	49	5	5.5	9	d1 + 3	d1 + 15	7.0 ± 1.0
V-60A	58 - 63	54	5	5.5	9	d1 + 3	d1 + 15	7.0 ± 1.0
V-65A	63 - 68	58	5	5.5	9	d1 + 3	d1 + 15	7.0 ± 1.0
V-70A	86 - 73	63	6	6.8	11	d1 + 4	d1 + 18	9.0 ± 1.2
V-75A	73 - 78	67	6	6.8	11	d1 + 4	d1 + 18	9.0 ± 1.2
V-80A	78 - 83	72	6	6.8	11	d1 + 4	d1 + 18	9.0 ± 1.2
V-85A	83 - 88	76	6	6.8	11	d1 + 4	d1 + 18	9.0 ± 1.2
V-90A	88 - 93	81	6	6.8	11	d1 + 4	d1 + 18	9.0 ± 1.2
V-95A	93 - 98	85	6	6.8	11	d1 + 4	d1 + 18	9.0 ± 1.2
V-100A	98 - 105	90	6	6.8	11	d1 + 4	d1 + 18	9.0 ± 1.2
V-110A	105 - 115	99	7	7.9	12.8	d1 + 4	d1 + 21	10.5 ± 1.5
V-120A	115 - 125	108	7	7.9	12.8	d1 + 4	d1 + 21	10.5 ± 1.5
V-130A	125 - 135	117	7	7.9	12.8	d1 + 4	d1 + 21	10.5 ± 1.5
V-140A	135 - 145	126	7	7.9	12.8	d1 + 4	d1 + 21	10.5 ± 1.5
V-150A	145 - 155	135	7	7.9	12.8	d1 + 4	d1 + 21	10.5 ± 1.5
V-160A	155 - 165	144	8	9	14.5	d1 + 5	d1 + 24	12.0 ± 1.8
V-170A	165 - 175	153	8	9	14.5	d1 + 5	d1 + 24	12.0 ± 1.8
V-180A	175 - 185	162	8	9	14.5	d1 + 5	d1 + 24	12.0 ± 1.8
V-190A	185 - 195	171	8	9	14.5	d1 + 5	d1 + 24	12.0 ± 1.8
V-199A	195 - 210	180	8	9	14.5	d1 + 5	d1 + 24	12.0 ± 1.8
V-200A	190 - 210	180	15	14.3	25	d1 + 10	d1 + 45	20.0 ± 4.0



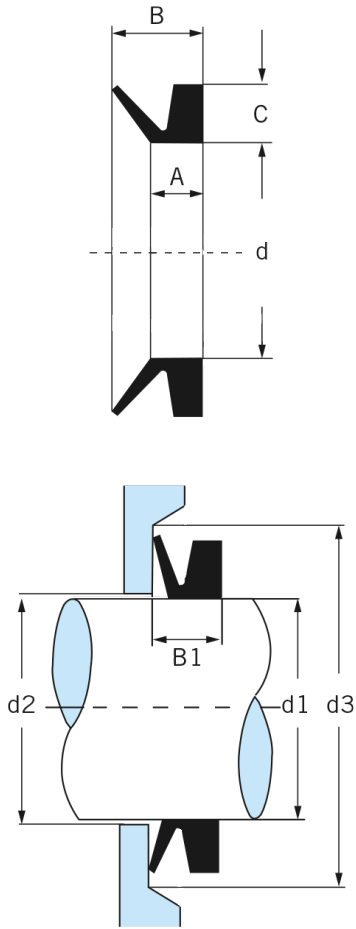
Disclaimer: The content of this document has been composed with the utmost care. However, it is possible that certain information changes over time, becomes inaccurate or incomplete. ERIKS does not guarantee that the information provided on this document is up to date, accurate and complete; the information provided is not intended to be advice. ERIKS shall never be liable for damage resulting from the use of the information provided.

Size table:

Designation	d1	d	C	A	B	d2 [max]	d3 [min]	B1
V-220A	210 - 235	198	15	14.3	25	d1 + 10	d1 + 45	20.0 ± 4.0
V-250A	235 - 265	225	15	14.3	25	d1 + 10	d1 + 45	20.0 ± 4.0
V-275A	265 - 290	247	15	14.3	25	d1 + 10	d1 + 45	20.0 ± 4.0
V-300A	290 - 310	270	15	14.3	25	d1 + 10	d1 + 45	20.0 ± 4.0
V-325A	310 - 335	292	15	14.3	25	d1 + 10	d1 + 45	20.0 ± 4.0
V-350A	335 - 365	315	15	14.3	25	d1 + 10	d1 + 45	20.0 ± 4.0
V-375A	365 - 390	337	15	14.3	25	d1 + 10	d1 + 45	20.0 ± 4.0
V-400A	390 - 430	360	15	14.3	25	d1 + 10	d1 + 45	20.0 ± 4.0
V-450A	430 - 480	405	15	14.3	25	d1 + 10	d1 + 45	20.0 ± 4.0
V-500A	480 - 530	450	15	14.3	25	d1 + 10	d1 + 45	20.0 ± 4.0
V-550A	530 - 580	495	15	14.3	25	d1 + 10	d1 + 45	20.0 ± 4.0
V-600A	580 - 630	540	15	14.3	25	d1 + 10	d1 + 45	20.0 ± 4.0
V-650A	630 - 665	600	15	14.3	25	d1 + 10	d1 + 45	20.0 ± 4.0
V-700A	665 - 705	630	15	14.3	25	d1 + 10	d1 + 45	20.0 ± 4.0
V-725A	705 - 745	670	15	14.3	25	d1 + 10	d1 + 45	20.0 ± 4.0
V-750A	745 - 785	705	15	14.3	25	d1 + 10	d1 + 45	20.0 ± 4.0
V-800A	785 - 830	745	15	14.3	25	d1 + 10	d1 + 45	20.0 ± 4.0
V-850A	830 - 875	785	15	14.3	25	d1 + 10	d1 + 45	20.0 ± 4.0
V-900A	875 - 920	825	15	14.3	25	d1 + 10	d1 + 45	20.0 ± 4.0
V-950A	920 - 965	865	15	14.3	25	d1 + 10	d1 + 45	20.0 ± 4.0
V-1000A	965 - 1015	910	15	14.3	25	d1 + 10	d1 + 45	20.0 ± 4.0
V-1050A	1015 - 1065	955	15	14.3	25	d1 + 10	d1 + 45	20.0 ± 4.0
V-1100A	1065 - 1115	1000	15	14.3	25	d1 + 10	d1 + 45	20.0 ± 4.0
V-1150A	1115 - 1165	1045	15	14.3	25	d1 + 10	d1 + 45	20.0 ± 4.0
V-1200A	1165 - 1215	1090	15	14.3	25	d1 + 10	d1 + 45	20.0 ± 4.0



Disclaimer: The content of this document has been composed with the utmost care. However, it is possible that certain information changes over time, becomes inaccurate or incomplete. ERIKS does not guarantee that the information provided on this document is up to date, accurate and complete; the information provided is not intended to be advice. ERIKS shall never be liable for damage resulting from the use of the information provided.



Size table:

Designation	d1	d	C	A	B	d2 [max]	d3 [min]	B1
V-1250A	1215 - 1270	1135	15	14.3	25	d1 + 10	d1 + 45	20.0 ± 4.0
V-1300A	1270 - 1320	1180	15	14.3	25	d1 + 10	d1 + 45	20.0 ± 4.0
V-1350A	1320 - 1370	1225	15	14.3	25	d1 + 10	d1 + 45	20.0 ± 4.0
V-1400A	1370 - 1420	1270	15	14.3	25	d1 + 10	d1 + 45	20.0 ± 4.0
V-1450A	1420 - 1470	1315	15	14.3	25	d1 + 10	d1 + 45	20.0 ± 4.0
V-1550A	1520 - 1570	1405	15	14.3	25	d1 + 10	d1 + 45	20.0 ± 4.0
V-1600A	1570 - 1620	1450	15	14.3	25	d1 + 10	d1 + 45	20.0 ± 4.0
V-1650A	1620 - 1670	1495	15	14.3	25	d1 + 10	d1 + 45	20.0 ± 4.0
V-1750A	1720 - 1770	1585	15	14.3	25	d1 + 10	d1 + 45	20.0 ± 4.0
V-1800A	1770 - 1820	1630	15	14.3	25	d1 + 10	d1 + 45	20.0 ± 4.0
V-1850A	1820 - 1870	1675	15	14.3	25	d1 + 10	d1 + 45	20.0 ± 4.0
V-1900A	1870 - 1920	1720	15	14.3	25	d1 + 10	d1 + 45	20.0 ± 4.0
V-1950A	1920 - 1970	1765	15	14.3	25	d1 + 10	d1 + 45	20.0 ± 4.0

Designation	Material	Temperature °C	Article
V-3A	EPDM	-40 / 140	11529861
V-3A	FKM	-25 / 200	10014071
V-3A	NBR	-35 / 100	10014187
V-4A	FKM	-25 / 200	10014072
V-4A	NBR	-35 / 100	10014188
V-5A	FKM	-25 / 200	10014073
V-5A	NBR	-35 / 100	11361842
V-6A	FKM	-25 / 200	10014074
V-6A	NBR	-35 / 100	10014190
V-7A	FKM	-25 / 200	10014075
V-7A	NBR	-35 / 100	10014192
V-8A	FKM	-25 / 200	10014076
V-8A	NBR	-35 / 100	10014193
V-10A	EPDM	-40 / 140	11550996
V-10A	FKM	-25 / 200	10014077
V-10A	NBR	-35 / 100	10014195
V-12A	FKM	-25 / 200	10014078
V-12A	NBR	-35 / 100	10014196
V-13A	NBR	-35 / 100	11142236
V-14A	FKM	-25 / 200	10014079
V-14A	NBR	-35 / 100	10014197
V-16A	FKM	-25 / 200	10014080

Disclaimer: The content of this document has been composed with the utmost care. However, it is possible that certain information changes over time, becomes inaccurate or incomplete. ERIKS does not guarantee that the information provided on this document is up to date, accurate and complete; the information provided is not intended to be advice. ERIKS shall never be liable for damage resulting from the use of the information provided.

Designation	Material	Temperature °C	Article
V-16A	NBR	-35 / 100	10014198
V-18A	FKM	-25 / 200	10014081
V-18A	NBR	-35 / 100	10014199
V-20A	FKM	-25 / 200	10014082
V-20A	NBR	-35 / 100	10014200
V-22A	FKM	-25 / 200	10014083
V-22A	NBR	-35 / 100	10014201
V-25A	EPDM	-40 / 140	11479904
V-25A	FKM	-25 / 200	10014084
V-25A	NBR	-35 / 100	10014202
V-28A	FKM	-25 / 200	10014085
V-28A	NBR	-35 / 100	10014203
V-30A	EPDM	-40 / 140	12401059
V-30A	FKM	-25 / 200	10014086
V-30A	NBR	-35 / 100	10014204
V-32A	EPDM	-40 / 140	10063162
V-32A	FKM	-25 / 200	10014087
V-32A	NBR	-35 / 100	10014205
V-35A	FKM	-25 / 200	10014088
V-35A	NBR	-35 / 100	10014206
V-38A	FKM	-25 / 200	10014089
V-38A	NBR	-35 / 100	10014207
V-40A	EPDM	-40 / 140	11310986
V-40A	FKM	-25 / 200	10014090
V-40A	NBR	-35 / 100	10014208
V-45A	EPDM	-40 / 140	11104263
V-45A	FKM	-25 / 200	10014091
V-45A	NBR	-35 / 100	10014209
V-50A	EPDM	-40 / 140	12934502
V-50A	FKM	-25 / 200	10014092
V-50A	NBR	-35 / 100	10014210
V-55A	EPDM	-40 / 140	11286882
V-55A	FKM	-25 / 200	10014093
V-55A	NBR	-35 / 100	10014211
V-60A	EPDM	-40 / 140	12401020
V-60A	FKM	-25 / 200	10014094
V-60A	NBR	-35 / 100	10014212
V-65A	EPDM	-40 / 140	12034505
V-65A	FKM	-25 / 200	10014095
V-65A	NBR	-35 / 100	10014213
V-70A	EPDM	-40 / 140	12401060
V-70A	FKM	-25 / 200	10014096
V-70A	NBR	-35 / 100	10014214
V-75A	EPDM	-40 / 140	11346276
V-75A	FKM	-25 / 200	10014097
V-75A	NBR	-35 / 100	10014215
V-80A	EPDM	-40 / 140	11182565
V-80A	FKM	-25 / 200	10014098
V-80A	NBR	-35 / 100	10014216
V-85A	EPDM	-40 / 140	12401022
V-85A	FKM	-25 / 200	10014099
V-85A	NBR	-35 / 100	10014217
V-90A	EPDM	-40 / 140	13574631

Disclaimer: The content of this document has been composed with the utmost care. However, it is possible that certain information changes over time, becomes inaccurate or incomplete. ERIKS does not guarantee that the information provided on this document is up to date, accurate and complete; the information provided is not intended to be advice. ERIKS shall never be liable for damage resulting from the use of the information provided.

Designation	Material	Temperature °C	Article
V-90A	FKM	-25 / 200	10014100
V-90A	NBR	-35 / 100	10014219
V-95A	EPDM	-40 / 140	11547909
V-95A	FKM	-25 / 200	10014101
V-95A	NBR	-35 / 100	10014220
V-100A	EPDM	-40 / 140	12934501
V-100A	FKM	-25 / 200	10014102
V-100A	NBR	-35 / 100	10014222
V-110A	EPDM	-40 / 140	13194928
V-110A	FKM	-25 / 200	10014103
V-110A	NBR	-35 / 100	10014223
V-120A	FKM	-25 / 200	10014104
V-120A	NBR	-35 / 100	10014224
V-130A	FKM	-25 / 200	10014105
V-130A	NBR	-35 / 100	10014225
V-140A	FKM	-25 / 200	10014106
V-140A	NBR	-35 / 100	10014226
V-150A	FKM	-25 / 200	10014107
V-150A	NBR	-35 / 100	10014227
V-160A	FKM	-25 / 200	10014108
V-160A	NBR	-35 / 100	10014228
V-170A	FKM	-25 / 200	10014109
V-170A	NBR	-35 / 100	10014229
V-180A	FKM	-25 / 200	10014110
V-180A	NBR	-35 / 100	10014230
V-190A	FKM	-25 / 200	10014111
V-190A	NBR	-35 / 100	10014231
V-199A	FKM	-25 / 200	11168593
V-199A	NBR	-35 / 100	10014232
V-200A	EPDM	-40 / 140	11285136
V-200A	FKM	-25 / 200	10014112
V-200A	NBR	-35 / 100	10014233
V-220A	FKM	-25 / 200	10014113
V-220A	NBR	-35 / 100	10014235
V-250A	EPDM	-40 / 140	11285137
V-250A	FKM	-25 / 200	10014114
V-250A	NBR	-35 / 100	10014236
V-275A	EPDM	-40 / 140	14097808
V-275A	FKM	-25 / 200	10014115
V-275A	NBR	-35 / 100	10014238
V-300A	FKM	-25 / 200	10014116
V-300A	NBR	-35 / 100	10014239
V-325A	EPDM	-40 / 140	11323430
V-325A	FKM	-25 / 200	10014117
V-325A	NBR	-35 / 100	10014240
V-350A	EPDM	-40 / 140	12934500
V-350A	FKM	-25 / 200	10014118
V-350A	NBR	-35 / 100	10014241
V-375A	FKM	-25 / 200	10014119
V-375A	NBR	-35 / 100	10014242
V-400A	EPDM	-40 / 140	12934498
V-400A	FKM	-25 / 200	10014122
V-400A	NBR	-35 / 100	10014243

Disclaimer: The content of this document has been composed with the utmost care. However, it is possible that certain information changes over time, becomes inaccurate or incomplete. ERIKS does not guarantee that the information provided on this document is up to date, accurate and complete; the information provided is not intended to be advice. ERIKS shall never be liable for damage resulting from the use of the information provided.

Designation	Material	Temperature °C	Article
V-450A	FKM	-25 / 200	11118688
V-450A	NBR	-35 / 100	10014244
V-500A	FKM	-25 / 200	11150740
V-500A	NBR	-35 / 100	10014245
V-550A	FKM	-25 / 200	11139761
V-550A	NBR	-35 / 100	10014246
V-600A	FKM	-25 / 200	11012922
V-600A	NBR	-35 / 100	10014247
V-650A	FKM	-25 / 200	11145797
V-650A	NBR	-35 / 100	10014249
V-700A	FKM	-25 / 200	11012920
V-700A	NBR	-35 / 100	10014250
V-725A	FKM	-25 / 200	11150741
V-725A	NBR	-35 / 100	11075973
V-750A	FKM	-25 / 200	10014126
V-750A	NBR	-35 / 100	10014251
V-800A	FKM	-25 / 200	11225406
V-800A	NBR	-35 / 100	10014252
V-850A	FKM	-25 / 200	11690316
V-850A	NBR	-35 / 100	10014253
V-900A	NBR	-35 / 100	10014254
V-950A	NBR	-35 / 100	10014255
V-1000A	FKM	-25 / 200	11056041
V-1000A	NBR	-35 / 100	11046931
V-1050A	FKM	-25 / 200	11554505
V-1050A	NBR	-35 / 100	11056235
V-1100A	FKM	-25 / 200	11481815
V-1100A	NBR	-35 / 100	11023386
V-1150A	NBR	-35 / 100	11022094
V-1200A	FKM	-25 / 200	11223955
V-1200A	NBR	-35 / 100	11412211
V-1250A	NBR	-35 / 100	11152641
V-1300A	NBR	-35 / 100	11152642
V-1350A	NBR	-35 / 100	11056236
V-1400A	NBR	-35 / 100	11145813
V-1450A	FKM	-25 / 200	11487571
V-1450A	NBR	-35 / 100	11418614
V-1550A	FKM	-25 / 200	11353710
V-1550A	NBR	-35 / 100	11176080
V-1600A	NBR	-35 / 100	13414364
V-1650A	NBR	-35 / 100	11117443
V-1750A	NBR	-35 / 100	11471030
V-1800A	NBR	-35 / 100	11323785
V-1850A	NBR	-35 / 100	11117411
V-1900A	NBR	-35 / 100	12945267
V-1950A	FKM	-25 / 200	11487270
V-1950A	NBR	-35 / 100	11235689

Disclaimer: The content of this document has been composed with the utmost care. However, it is possible that certain information changes over time, becomes inaccurate or incomplete. ERIKS does not guarantee that the information provided on this document is up to date, accurate and complete; the information provided is not intended to be advice. ERIKS shall never be liable for damage resulting from the use of the information provided.