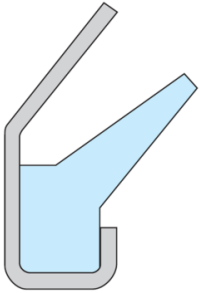


ERIKS Alphaseal type RC

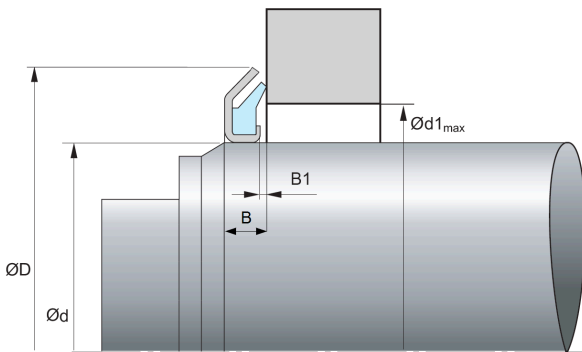
Characteristics

Type: RC



Size table:

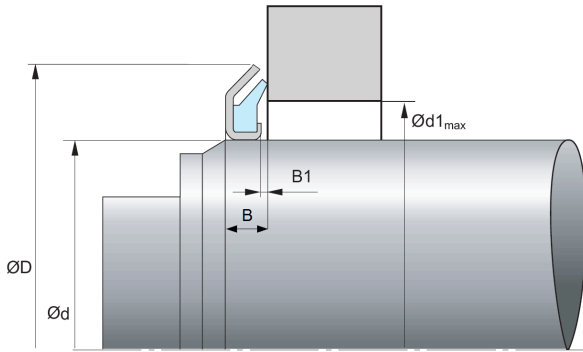
Designation	d	B	D	B1	d1
	mm	mm	mm	mm	mm
RC10	10	3.5	24	1	15
RC12	12	3.5	26	1	17
RC15	15	4	30	1	21
RC16	16	4	32	1	23
RC17	17	4	32	1	23
RC18	18	4	33	1	24
RC20	20	4	35	1	26
RC22	22	4	40	1	28
RC24	24	4	40	1	30
RC25	25	4	40	1	31
RC26	26	4	40	1	32
RC28	28	4	43	1	34
RC30	30	4.5	47	1	37
RC32	32	4.5	49	1	39
RC35	35	4.5	52	1	42
RC40	40	4.5	57	1	47
RC45	45	4.5	62	1	52
RC48	48	4.5	65	1	55
RC50	50	5.5	70	1	58
RC52	52	5.5	72	1	60
RC55	55	5.5	75	1	63
RC58	58	5.5	78	1	66



Disclaimer: The content of this document has been composed with the utmost care. However, it is possible that certain information changes over time, becomes inaccurate or incomplete. ERIKS does not guarantee that the information provided on this document is up to date, accurate and complete; the information provided is not intended to be advice. ERIKS shall never be liable for damage resulting from the use of the information provided.

Size table:

Designation	d	B	D	B1	d1
RC60	60	5.5	80	1	68
RC62	62	5.5	82	1	70
RC65	65	5.5	85	1	73
RC68	68	5.5	88	1	76
RC70	70	5.5	90	1	78
RC72	72	5.5	92	1	80
RC75	75	5.5	95	1	83
RC78	78	5.5	98	1	86
RC80	80	5.5	100	1	88
RC85	85	5.5	105	1	93
RC90	90	5.5	110	1	98
RC95	95	5.5	115	1	103
RC100	100	5.5	120	1	108
RC105	105	5.5	125	1	113
RC125	125	6.5	148	1	133
RC135	135	6.5	159	1	145



Designation	Material	Material housing	Temperature °C	Article
RC10	NBR	Steel	-35 / 100	10003319
RC12	NBR	Steel	-35 / 100	10003320
RC15	NBR	Steel	-35 / 100	10003321
RC15	NBR	SS 304 [1.4301]	-35 / 100	12049206
RC16	NBR	Steel	-35 / 100	10003322
RC17	NBR	Steel	-35 / 100	10003323
RC18	NBR	Steel	-35 / 100	10003324
RC20	NBR	Steel	-35 / 100	10003325
RC22	NBR	Steel	-35 / 100	10003326
RC24	NBR	Steel	-35 / 100	10003327
RC25	NBR	Steel	-35 / 100	10003328
RC26	NBR	Steel	-35 / 100	10003329
RC28	NBR	Steel	-35 / 100	10003330
RC30	NBR	SS 304 [1.4301]	-35 / 100	11479291
RC30	NBR	Steel	-35 / 100	10003331
RC32	NBR	Steel	-35 / 100	10003332
RC35	NBR	Steel	-35 / 100	10003333
RC35	NBR	SS 304 [1.4301]	-35 / 100	11479292
RC40	EPDM	Steel	-40 / 140	12464087
RC40	NBR	Steel	-35 / 100	10003334
RC45	NBR	Steel	-35 / 100	10003335
RC45	NBR	SS 304 [1.4301]	-35 / 100	11531614
RC48	NBR	Steel	-35 / 100	10003336
RC50	NBR	SS 304 [1.4301]	-35 / 100	11262013
RC50	NBR	Steel	-35 / 100	10003337
RC52	NBR	Steel	-35 / 100	10003338
RC55	NBR	Steel	-35 / 100	10003340
RC55	NBR	SS 304 [1.4301]	-35 / 100	11531615

Disclaimer: The content of this document has been composed with the utmost care. However, it is possible that certain information changes over time, becomes inaccurate or incomplete. ERIKS does not guarantee that the information provided on this document is up to date, accurate and complete; the information provided is not intended to be advice. ERIKS shall never be liable for damage resulting from the use of the information provided.

Designation	Material	Material housing	Temperature °C	Article
RC58	NBR	Steel	-35 / 100	10003341
RC60	FKM	Steel	-25 / 200	11135071
RC60	NBR	Steel	-35 / 100	10003342
RC60	NBR	SS 316 [1.4408]	-35 / 100	11424949
RC62	NBR	Steel	-35 / 100	10003343
RC65	NBR	Steel	-35 / 100	10003344
RC65	NBR	SS 304 [1.4301]	-35 / 100	11531616
RC68	NBR	Steel	-35 / 100	10003345
RC70	FKM	Steel	-25 / 200	11276257
RC70	NBR	Steel	-35 / 100	10003346
RC72	NBR	Steel	-35 / 100	10003347
RC75	NBR	SS 304 [1.4301]	-35 / 100	11531618
RC75	NBR	Steel	-35 / 100	10003348
RC78	NBR	Steel	-35 / 100	10003349
RC80	NBR	Steel	-35 / 100	10003350
RC85	NBR	Steel	-35 / 100	10003351
RC85	NBR	SS 304 [1.4301]	-35 / 100	11531619
RC90	NBR	Steel	-35 / 100	10003352
RC95	NBR	Steel	-35 / 100	10003353
RC100	NBR	Steel	-35 / 100	10003354
RC100	NBR	SS 304 [1.4301]	-35 / 100	12765145
RC105	NBR	Steel	-35 / 100	10003355
RC105	NBR	SS 304 [1.4301]	-35 / 100	11531617
RC125	NBR	Steel	-35 / 100	10003356
RC135	FKM	SS 316 [1.4408]	-25 / 200	12171280
RC135	NBR	SS 316 [1.4408]	-35 / 100	12162810
RC135	NBR	SS 304 [1.4301]	-35 / 100	12100839

Disclaimer: The content of this document has been composed with the utmost care. However, it is possible that certain information changes over time, becomes inaccurate or incomplete. ERIKS does not guarantee that the information provided on this document is up to date, accurate and complete; the information provided is not intended to be advice. ERIKS shall never be liable for damage resulting from the use of the information provided.