

ECON® Bourdon tube pressure gauge Type 334 bottom connection brass



Characteristics

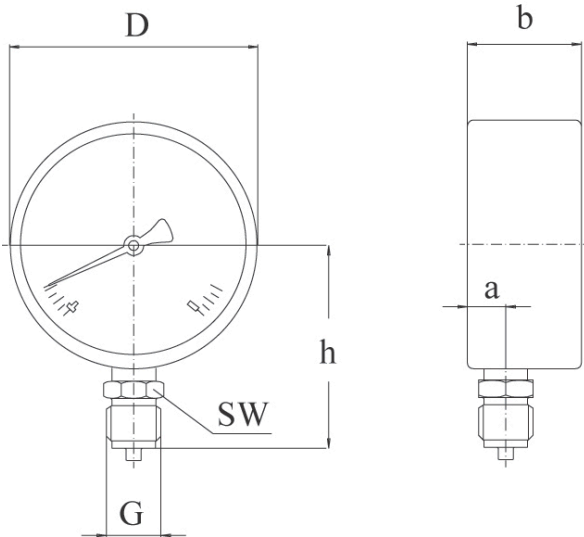
- Type:** 334
- Model:** Bourdon tube pressure gauge
- Blow-out included:** No
- Pressure gauge attachment:** Direct
- Process connection:** External thread
- Process connection material:** Brass
- Window material:** Plastic
- Protection class:** IP54
- Medium temperature:** 0 / 60 °C
- Ambient temperature:** -20 / 60 °C

Application

- Light industry.
- Pneumatics.
- Installation technology.

Technical Information

- Suitable for gases and liquids that do not affect the brass measuring system.
- Measuring ranges according to EN 837-1.



Size table:

Cabinet diameter	G	a	b	D	h	SW
		mm	mm	mm	mm	mm
R40	1/8"	9.5	26	40	36	14
R50	1/4"	10	27	50	45	14
R63	1/4"	9.5	28	63	54	14
R100	1/2"	12	30	100	84	22

Cabinet diameter mm	Measuring range	Pressure unit	Accuracy class	Cabinet filling fluid	Connection location	Size process connection	Cabinet material	Material dial	Maximum overpressure bar	Article
40	0 / 6	bar	2.5 %	None	Below	1/8" BSPP[G]	Plastic	Plastic	6	EC003341F2A-4130
40	0 / 10	bar	2.5 %	None	Below	1/8" BSPP[G]	Plastic	Plastic	10	EC003341G2-A4130
50	0 / 10	bar	2.5 %	None	Below	1/4" BSPP[G]	Plastic	Plastic	10	13502974
63	-1 / 0.6	bar	2.5 %	None	Below	1/4" BSPP[G]	Plastic	Plastic	0.6	EC00334322-C4130
63	-1 / 5	bar	2.5 %	None	Below	1/4" BSPP[G]	Plastic	Plastic	5	EC00334352-C4130
63	-1 / 15	bar	2.5 %	None	Below	1/4" BSPP[G]	Plastic	Plastic	15	EC00334372-C4130
63	0 / 1	bar	2.5 %	None	Below	1/4" BSPP[G]	Plastic	Plastic	1	EC003343B2-C4130
63	0 / 1.6	bar	2.5 %	None	Below	1/4" BSPP[G]	Plastic	Plastic	1.6	EC003343C2-C4130

Disclaimer: The content of this document has been composed with the utmost care. However, it is possible that certain information changes over time, becomes inaccurate or incomplete. ERIKS does not guarantee that the information provided on this document is up to date, accurate and complete; the information provided is not intended to be advice. ERIKS shall never be liable for damage resulting from the use of the information provided.

Cabinet diameter mm	Measuring range	Pressure unit	Accuracy class	Cabinet filling fluid	Connection location	Size process connection	Cabinet material	Material dial	Maximum overpressure bar	Article
63	0 / 2.5	bar	2.5 %	None	Below	1/4" BSPP[G]	Plastic	Plastic	2.5	EC003343D2-C4130
63	0 / 4	bar	2.5 %	None	Below	1/4" BSPP[G]	Plastic	Plastic	4	EC003343E2-C4130
63	0 / 6	bar	2.5 %	None	Below	1/4" BSPP[G]	Plastic	Plastic	6	EC003343F2-C4130
63	0 / 10	bar	2.5 %	None	Below	1/4" BSPP[G]	Plastic	Plastic	10	EC003343G2-C4130
63	0 / 16	bar	2.5 %	None	Below	1/4" BSPP[G]	Plastic	Plastic	16	EC003343H2-C4130
63	0 / 40	bar	2.5 %	None	Below	1/4" BSPP[G]	Plastic	Plastic	40	EC003343J2C-4130
63	0 / 60	bar	2.5 %	None	Below	1/4" BSPP[G]	Plastic	Plastic	60	EC003343K2-C4130
63	0 / 100	bar	2.5 %	None	Below	1/4" BSPP[G]	Plastic	Plastic	100	EC003343L2-C4130
63	0 / 400	bar	2.5 %	None	Below	1/4" BSPP[G]	Plastic	Plastic	400	EC003343P2-C4130
100	-1 / 0	bar	2.5 %	None	Below	1/2" BSPP[G]	Plastic	Aluminium	0	EC003345I1E-4130
100	0 / 6	bar	2.5 %	None	Below	1/2" BSPP[G]	Plastic	Aluminium	6	EC003345F2E-4130
100	0 / 10	bar	2.5 %	None	Below	1/2" BSPP[G]	Plastic	Aluminium	10	EC003345G1E-4130-ECON

Disclaimer: The content of this document has been composed with the utmost care. However, it is possible that certain information changes over time, becomes inaccurate or incomplete. ERIKS does not guarantee that the information provided on this document is up to date, accurate and complete; the information provided is not intended to be advice. ERIKS shall never be liable for damage resulting from the use of the information provided.