

## ECON® Bourdon tube pressure gauge Type 1401 bottom connection brass



### Characteristics

- Type:** 1401
- Model:** Bourdon tube pressure gauge
- Blow-out included:** No
- Cabinet filling fluid:** None
- Pressure gauge attachment:** Direct
- Process connection:** External thread
- Process connection material:** Brass
- Protection class:** IP54
- Medium temperature:** 0 / 50 °C
- Ambient temperature:** 0 / 50 °C

### Application

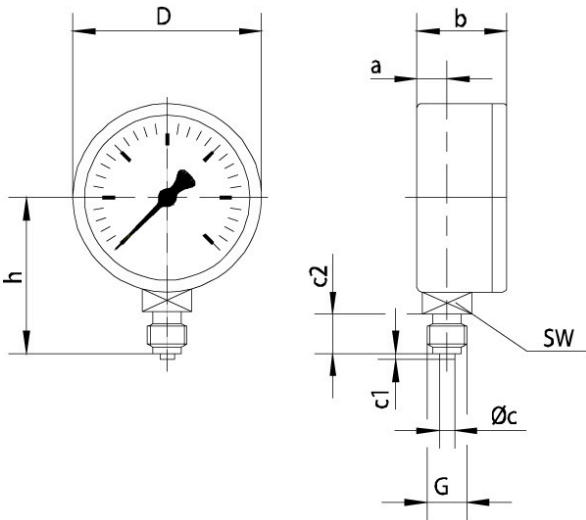
- Light industry.
- Pneumatics.
- Installation technique.

### Technical Information

- Suitable for gases and liquids that do not affect the brass measuring system.
- Measuring ranges according to EN 837-1.

### Options

- Double scale for example in bar/psi.
- Damping screw in connection.
- Dial according to customer specification for example company logo.



Size table:

Cabinet diameter	G	a	b	c	c1	RA	D	h	SW
		mm	mm	mm	mm	mm	mm	mm	mm
R40	1/8"	9.5	27			10	40	36	14
R50	1/4"	11.5	30	5	2	13	49	45	14
R63	1/4"	10.5	30	5	2	13	62	52.5	14
R100	1/2"	11	31	6	3	18	99	78	22

Cabinet diameter mm	Measuring range	Pressure unit	Accuracy class	Connection location	Size process connection	Cabinet material	Window material	Material dial	Maximum overpressure bar	Article
40	0 / 1	bar	2.5 %	Below	1/8" BSPP[G]	Stainless steel 304	Acrylic	Aluminium	1.3	685083
40	0 / 2.5	bar	1.6 %	Below	1/8" BSPP[G]	Stainless steel 304	Acrylic	Aluminium	3	685084
40	0 / 4	bar	1.6 %	Below	1/8" BSPP[G]	Stainless steel 304	Acrylic	Aluminium	5	10059503
40	0 / 6	bar	1.6 %	Below	1/8" BSPP[G]	Stainless steel 304	Acrylic	Aluminium	7.8	10059504
40	0 / 10	bar	1.6 %	Below	1/8" BSPP[G]	Stainless steel 304	Acrylic	Aluminium	13	10059617
50	0 / 6	bar	1.6 %	Below	1/4" BSPP[G]	Stainless steel 304	Acrylic	Aluminium	7.8	685105
50	0 / 10	bar	1.6 %	Below	1/4" BSPP[G]	Stainless steel 304	Acrylic	Aluminium	13	685094

Disclaimer: The content of this document has been composed with the utmost care. However, it is possible that certain information changes over time, becomes inaccurate or incomplete. ERIKS does not guarantee that the information provided on this document is up to date, accurate and complete; the information provided is not intended to be advice. ERIKS shall never be liable for damage resulting from the use of the information provided.

## Pressure meters | Bourdon tube pressure gauge

Cabinet diameter mm	Measuring range	Pressure unit	Accuracy class	Connection location	Size process connection	Cabinet material	Window material	Material dial	Maximum overpressure bar	Article
50	0 / 16	bar	1.6 %	Below	1/4" BSPP(G)	Stainless steel 304	Acrylic	Aluminium	20	685096
63	-1 / 0	bar	1.6 %	Below	1/4" BSPP(G)	Stainless steel 304	Acrylic	Aluminium	0	10059632
63	-1 / 1.5	bar	1.6 %	Below	1/4" BSPP(G)	Stainless steel 304	Acrylic	Aluminium	1.9	10059767
63	-1 / 9	bar	1.6 %	Below	1/4" BSPP(G)	Stainless steel 304	Acrylic	Aluminium	11	685163
63	-1 / 15	bar	1.6 %	Below	1/4" BSPP(G)	Stainless steel 304	Acrylic	Aluminium	19	685160
63	0 / 1.6	bar	1.6 %	Below	1/4" BSPP(G)	Stainless steel 304	Acrylic	Aluminium	2	10059702
63	0 / 2.5	bar	1.6 %	Below	1/4" BSPP(G)	Stainless steel 304	Acrylic	Aluminium	3	10059703
63	0 / 4	bar	1.6 %	Below	1/4" BSPP(G)	Stainless steel 304	Acrylic	Aluminium	5	10059509
63	0 / 6	bar	1.6 %	Below	1/4" BSPP(G)	Stainless steel 304	Acrylic	Aluminium	7.8	10059510
63	0 / 10	bar	1.6 %	Below	1/4" BSPP(G)	Stainless steel 304	Acrylic	Aluminium	13	10059624
63	0 / 16	bar	1.6 %	Below	1/4" BSPP(G)	Stainless steel 304	Acrylic	Aluminium	20	10059625
63	0 / 25	bar	1.6 %	Below	1/4" BSPP(G)	Stainless steel 304	Acrylic	Aluminium	32	10059626
63	0 / 40	bar	1.6 %	Below	1/4" BSPP(G)	Stainless steel 304	Acrylic	Aluminium	52	10059627
63	0 / 315	bar	1.6 %	Below	1/4" BSPP(G)	Stainless steel 304	Acrylic	Aluminium	409	685137
100	-1 / 0	bar	1.6 %	Below	1/2" BSPP(G)	Stainless steel 304	Acrylic	Aluminium	0	10059733
100	-1 / 1.5	bar	1.6 %	Below	1/2" BSPP(G)	Stainless steel 304	Acrylic	Aluminium	1.9	685023
100	0 / 0.6	bar	1.6 %	Below	1/2" BSPP(G)	Stainless steel 304	Acrylic	Aluminium	0.8	10059782
100	0 / 1	bar	1.6 %	Below	1/2" BSPP(G)	Stainless steel 304	Acrylic	Aluminium	1.3	10059643
100	0 / 2.5	bar	1.6 %	Below	1/2" BSPP(G)	Stainless steel 304	Acrylic	Aluminium	3	10059784
100	0 / 4	bar	1.6 %	Below	1/2" BSPP(G)	Stainless steel 304	Acrylic	Aluminium	5	10059735
100	0 / 6	bar	1.6 %	Below	1/2" BSPP(G)	Stainless steel 304	Acrylic	Aluminium	7.8	10059736
100	0 / 16	bar	1.6 %	Below	1/2" BSPP(G)	Stainless steel 304	Acrylic	Aluminium	20	10059728
100	0 / 25	bar	1.6 %	Below	1/2" BSPP(G)	Stainless steel 304	Acrylic	Aluminium	32	10059729

Disclaimer: The content of this document has been composed with the utmost care. However, it is possible that certain information changes over time, becomes inaccurate or incomplete. ERIKS does not guarantee that the information provided on this document is up to date, accurate and complete; the information provided is not intended to be advice. ERIKS shall never be liable for damage resulting from the use of the information provided.