



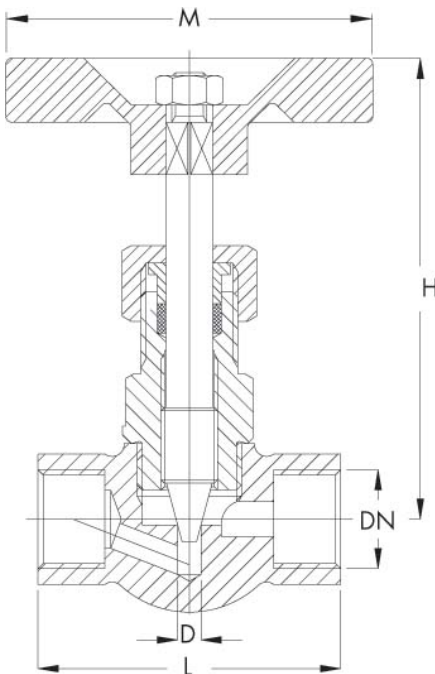
ECON® Needle valve Type: 718 Brass Straight Hand wheel Internal thread (BSPP)

Characteristics

Type: 718
Norm: EN (DIN)
Construction type: Straight
Housing material: Brass
Material quality: CW614N
Connection: Internal thread (NPT)
Face to Face norm: Manufacturer standard
Operation: Hand wheel
Spindle material: CW614N
Primary spindle seal material: PTFE

Characteristics [2]

Actuator material: Plastic
Minimum medium temperature (continuous): -10 °C
Maximum medium temperature (continuous): 150 °C
Maximum pressure difference at 20 °C: 100 bar



Size table:

DN	d	L	H	M	Weight
	mm	mm	mm	mm	kg
1/4"	4	46	80	50	0.22
3/8"	4	50	80	50	0.22
1/2"	6	55	102	65	0.36
3/4"	8	64	107	65	0.55
1"	8	75	110	65	0.76

Max. working pressure	Max. medium temperature
100 bar	30°C
40 bar	150°C

Nominal inner diameter	Pressure rating	Face to Face length	Valve bore	Kv value	Article
		mm	mm	m³/h	
1/4" [8]	PN100	46	4	0.3	EC0071801/4CB12
3/8" [10]	PN100	50	4	0.3	EC0071803/8CB12
1/2" [15]	PN100	55	6	0.7	EC0071801/2CB12
3/4" [20]	PN100	64	8	1.26	EC0071803/4CB12
1" [25]	PN100	75	8	1.26	EC007180001CB12

Disclaimer: The content of this document has been composed with the utmost care. However, it is possible that certain information changes over time, becomes inaccurate or incomplete. ERIKS does not guarantee that the information provided on this document is up to date, accurate and complete; the information provided is not intended to be advice. ERIKS shall never be liable for damage resulting from the use of the information provided.