



## ECON® Electric actuator Series: ELA80-3000 Type: 7907EXD Explosion-proof



### Characteristics

**Series:** ELA80-3000

**Type:** 7907EXD

**Transmission:** Quarter turn

**Top flange standard:** ISO 5211

**Square type:** Double square

**Explosion-proof:** Yes

**Ex-class:** II 2G Ex db IIB T4 Gb, II 2D Ex tb IIIC T135 °C Db

**Emergency manual operation:** Yes

**Potential free switch contact:** Yes

**Torque switch:** Yes

**With mechanical setting indicator:** Yes

**Material housing:** Aluminium

**Material cover:** Aluminium

**Surface protection:** Polyester coated

**Material shaft:** Steel

**Material mounting garniture:** Stainless steel

**Min. ambient temperature:** -20 °C

**Max. ambient temperature:** 60 °C

### Application

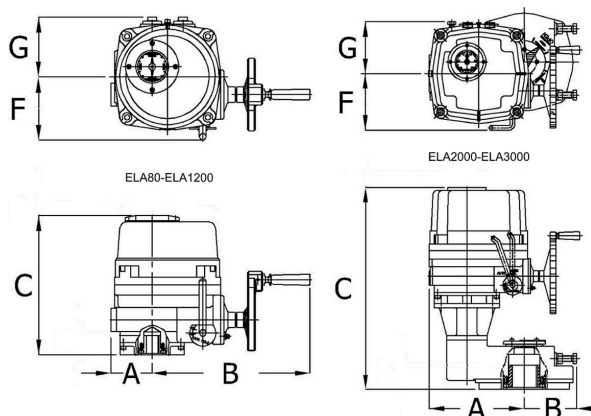
- Suitable for ball valves, ball check valves, butterfly valves and valves without stuffing box/plug valves.
- Industrial and maritime applications.

### Technical Information

- Connection voltages: 24 VDC or 24 VAC; 1 phase 50/60 Hz: 115 VAC or 230 VAC ± 10%; 3 phases 50/60 Hz: 230 VAC, 380 VAC, 440 VAC or 460 VAC ± 10%.
- IP67 or IP68 protection class (10 m/72 h).
- Ambient temperature: -20°C to +80°C.
- Explosion-proof housing according to: II 2G Ex db IIB T4 Gb, II 2D Ex tb IIIC T1 35°C Db.
- Provided with heater for anti-condensation.
- Thermal protection of the electric motor.

### Options

- Proportional control unit for modulating purposes [input/output 0~10 VDC 2~10 VDC/4~20 mA].
- Angle of rotation can be increased to 120°, 180° or 270° [ELA80 to ELA1200].
- Fail-safe version with battery pack [ELA80 to ELA300].
- Fieldbus systems: ASI bus, Modbus, PROFIBUS and CANopen.
- Additional cut-outs [SPDT 2x 250 VAC - 10 A] [ELA150 to ELA3000].
- Local control unit [LCU].
- Potentiometer [0~1 kΩ].
- Position transmitter [output 4~20 mA].



Size table:

Model	A mm	B mm	C mm	F mm	G mm	Weight kg
ELA80Ex	59	246.3	237.4	150	92.5	7.5
ELA100Ex	59	246.3	237.4	150	92.5	7.5
ELA150Ex	82.5	305.8	270.4	142	106.3	16.5
ELA200Ex	82.5	305.8	270.4	142	106.3	16.5
ELA300Ex	92	327.3	305.9	165	113	22

Technical info table						
Model	Maximum torque Nm [in-lb]	Operating time s/90°[50/60Hz]	Duty cycle according to IEC 60034-1 S4	Hand wheel turns Number	Maximum Power W	Weight kg [lbs]
ELA80	78 [694]	16/13	70% <sup>2</sup>	10	107 <sup>3</sup>	7,5 [16.5]
ELA100	98 [868]	20/17	70% <sup>2</sup>	10	107 <sup>3</sup>	7,5 [16.5]
ELA150	147 [1,302]	25/21	0.7	11	216	16,5 [36.4]
ELA200	196 [1,736]	25/21	0.7	11	216	16,5 [36.4]
ELA300	294 [2,604]	31/26	0.7	13.5	187	22 [48.5]
ELA500	490 [4,340]	31/26	0.7	13.5	410	23 [50.7]
ELA600	588 [5,208]	31/26	0.7	13.5	410	23 [50.7]
ELA800	785 [6,944]	37/31	0.7	16.5	483	29 [63.9]
ELA1200	1177 [10,416]	37/31	0.7	16.5	483	29 [63.9]
ELA2000	1961 [17,359]	37/31 <sup>1</sup>	0.5	49.5	483	75 [165.3]
ELA2700	2678 [23,435]	56/47 <sup>1</sup>	0.5	49.5	483	75 [165.3]
ELA3000	2942 [26,039]	112/93	0.5	49.5	483	75 [165.3]

Notes:

1. Operation time of 115V 1Ph actuators is 112/93 s/90°.

2. Duty ratings: ELA80 and ELA100 in 380 VAC/3Ph - S4-70% and 440 VAC/3Ph - S4-40%.

3. Maximum power at 3 Phase for S4-70% 164W, S4-40% 348W.

Model	Rated current table					
	12VDC A	24VDC [24VAC] <sup>1</sup> A	115VAC <sup>2</sup> , 1 Phase A[50/60Hz]	230VAC <sup>2</sup> , 1 Phase A[50/60Hz]	230VAC <sup>2</sup> , 3 Phase A[50/60Hz]	380VAC, 3 Phase A[50/60Hz]
ELA80	6.4	3.7	1,0/1,0	0,5/0,5		0,3/,04
ELA100	9.5	4	1,0/1,0	0,5/0,5		0,3/0,4
ELA150		6.2	1,6/1,8	0,8/0,9	0,7/0,5	0,4/0,3
ELA200		6.5	1,6/1,8	0,8/0,9	0,7/,05	0,4/0,3
ELA300		3	1,4/1,7	0,7/0,9	0,5/0,4	0,4/0,3
ELA500			4,3/3,6	1,4/1,3	0,9/0,8	0,6/0,5
ELA600			4,3/3,6	1,4/1,3	0,9/0,8	0,6/0,5

Disclaimer: The content of this document has been composed with the utmost care. However, it is possible that certain information changes over time, becomes inaccurate or incomplete. ERIKS does not guarantee that the information provided on this document is up to date, accurate and complete; the information provided is not intended to be advice. ERIKS shall never be liable for damage resulting from the use of the information provided.

Model	Rated current table					
	12VDC	24VDC (24VAC) <sup>1</sup>	115VAC <sup>2</sup> , 1 Phase	230VAC <sup>2</sup> , 1 Phase	230VAC <sup>2</sup> , 3 Phase	380VAC, 3 Phase
	A	A	A(50/60Hz)	A(50/60Hz)	A(50/60Hz)	A(50/60Hz)
ELA800			3,6/5,0	1,9/2,8	1,5/1,1	0,9/0,7
ELA1200			3,6/5,0	1,9/2,8	1,5/1,1	0,9/0,7
ELA2000			3,6/5,0	1,9/2,8	1,5/1,1	0,9/0,7
ELA2700			3,6/5,0	1,9/2,8	1,5/1,1	0,9/0,7
ELA3000			3,6/5,0	1,9/2,8	1,5/1,1	0,9/0,7
Notes:						
1. 24VAC actuators have 24VDC motors.						
2. 115VAC and 230VAC ±5% according to IEC 60034-1.						

Model	Connection voltage	Mounting flange	Mounting flange 2	Square dimensions	Square depth	Stem shape	Torque	Level of protection (IP value)	Type of regulation	Article
				mm	mm					
ELA80Ex	24V DC	F07		17	33	Double square	78	IP67	Open-close	13468468
ELA100Ex	24V DC	F07		17	33	Double square	98	IP67	Open-close	EC0790700EX-EB10
ELA100Ex	230V AC	F07		17	33	Double square	98	IP67	Open-close	12951166
ELA100Ex	230V AC	F07		17	33	Double square	98	IP68	Open-close	14073929
ELA150Ex	230V AC	F07	F10	17	45	Double square	147	IP67	Open-close	13468470
ELA150Ex	230V AC	F07	F10	17	45	Double square	147	IP68	Open-close	14073930
ELA200Ex	24V DC	F07	F10	17	45	Double square	196	IP67	Open-close	EC0790700EX-GB10
ELA200Ex	230V AC	F07	F10	17	45	Double square	196	IP68	Open-close	14073931
ELA300Ex	24V DC	F10	F12	22	52	Double square	294	IP67	Open-close	13468471

Disclaimer: The content of this document has been composed with the utmost care. However, it is possible that certain information changes over time, becomes inaccurate or incomplete. ERIKS does not guarantee that the information provided on this document is up to date, accurate and complete; the information provided is not intended to be advice. ERIKS shall never be liable for damage resulting from the use of the information provided.