

ECON® Electric actuator Series: ELA80-3000 Type: 7907**Characteristics****Series:** ELA80-3000**Type:** 7907**Transmission:** Quarter turn**Top flange standard:** ISO 5211**Square type:** Double square**Explosion-proof:** No**Including battery-pack:** Yes**Emergency manual operation:** Yes**Potential free switch contact:** Yes**Torque switch:** Yes**With mechanical setting indicator:** Yes**Material housing:** Aluminium**Material cover:** Aluminium**Surface protection:** Polyester coated**Material shaft:** Steel**Material mounting garniture:** Stainless steel**Min. ambient temperature:** -20 °C**Max. ambient temperature:** 80 °C**Application**

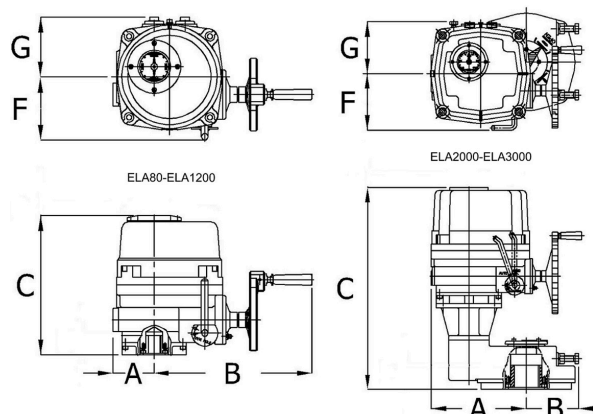
- Suitable for ball valves, ball check valves, butterfly valves and valves without stuffing box/plug valves.
- Industrial and maritime applications.

Technical Information

- Connection voltages: 24 VDC or 24 VAC; 1 phase 50/60 Hz: 115 VAC or 230 VAC \pm 10%; 3 phases 50/60 Hz: 230 VAC, 380 VAC, 440 VAC or 460 VAC \pm 10%.
- IP67 or IP68 protection class (10 m/72 h).
- Ambient temperature: -20°C to +80°C.
- Provided with heater for anti-condensation.
- Thermal protection of the electric motor.

Options

- Proportional control unit for modulating purposes (input/output 0~10 VDC 2~10 VDC/4~20 mA).
- Explosion-proof housing according to: II 2G Ex dB IIB T4 Gb, II 2D Ex tb IIIC T1 35°C Db.
- Angle of rotation can be increased to 120°, 180° or 270° [ELA80 to ELA1200].
- Fail-safe version with battery pack [ELA80 to ELA300].
- Fieldbus systems: ASi bus, Modbus, PROFIBUS and CANopen.
- Additional cut-outs (SPDT 2x 250 VAC - 10 A) [ELA150 to ELA3000].
- Potentiometer (0~1 k Ω).
- Position transmitter (output 4~20 mA).
- Local control unit (LCU).



Size table:

Model	A mm	B mm	C mm	F mm	G mm	Weight kg
ELA80	59	246.3	237.4	150	92.5	7.5
ELA100	59	246.3	237.4	150	92.5	7.5
ELA150	82.5	305.8	270.4	142	106.3	16.5
ELA200	82.5	305.8	270.4	142	106.3	16.5
ELA300	92	327.3	305.9	165	113	22
ELA500	92	327.3	305.9	165	113	23
ELA600	92	327.3	305.9	165	113	23
ELA800	112	347.3	330	186	116	29
ELA1200	112	347.3	330	186	116	29

Model	Technical info table					
	Maximum torque Nm [in-lb]	Operating time s/90°[50/60Hz]	Duty cycle according to IEC 60034-1 S4	Hand wheel turns Number	Maximum Power W	Weight kg [lbs]
ELA80	78 [694]	16/13	70% ²	10	107 ³	7,5 [16.5]
ELA100	98 [868]	20/17	70% ²	10	107 ³	7,5 [16.5]
ELA150	147 [1,302]	25/21	0.7	11	216	16,5 [36.4]
ELA200	196 [1,736]	25/21	0.7	11	216	16,5 [36.4]
ELA300	294 [2,604]	31/26	0.7	13.5	187	22 [48.5]
ELA500	490 [4,340]	31/26	0.7	13.5	410	23 [50.7]
ELA600	588 [5,208]	31/26	0.7	13.5	410	23 [50.7]
ELA800	785 [6,944]	37/31	0.7	16.5	483	29 [63.9]
ELA1200	1177 [10,416]	37/31	0.7	16.5	483	29 [63.9]
ELA2000	1961 [17,359]	37/31 ¹	0.5	49.5	483	75 [165.3]
ELA2700	2678 [23,435]	56/47 ¹	0.5	49.5	483	75 [165.3]
ELA3000	2942 [26,039]	112/93	0.5	49.5	483	75 [165.3]

Notes:

1. Operation time of 115V 1Ph actuators is 112/93 s/90°.
2. Duty ratings: ELA80 and ELA100 in 380 VAC/3Ph - S4-70% and 440 VAC/3Ph - S4-40%.
3. Maximum power at 3 Phase for S4-70% 164W, S4-40% 348W.

Model	Rated current table					
	12VDC A	24VDC [24VAC] ¹ A	115VAC ² , 1 Phase A[50/60Hz]	230VAC ² , 1 Phase A[50/60Hz]	230VAC ² , 3 Phase A[50/60Hz]	380VAC, 3 Phase A[50/60Hz]
ELA80	6.4	3.7	1,0/1,0	0,5/0,5		0,3/,04
ELA100	9.5	4	1,0/1,0	0,5/0,5		0,3/0,4
ELA150		6.2	1,6/1,8	0,8/0,9	0,7/0,5	0,4/0,3
ELA200		6.5	1,6/1,8	0,8/0,9	0,7/,05	0,4/0,3

Disclaimer: The content of this document has been composed with the utmost care. However, it is possible that certain information changes over time, becomes inaccurate or incomplete. ERIKS does not guarantee that the information provided on this document is up to date, accurate and complete; the information provided is not intended to be advice. ERIKS shall never be liable for damage resulting from the use of the information provided.

Model	Rated current table					
	12VDC	24VDC (24VAC) ¹	115VAC ² , 1 Phase	230VAC ² , 1 Phase	230VAC ² , 3 Phase	380VAC, 3 Phase
	A	A	A(50/60Hz)	A(50/60Hz)	A(50/60Hz)	A(50/60Hz)
ELA300		3	1,4/1,7	0,7/0,9	0,5/0,4	0,4/0,3
ELA500			4,3/3,6	1,4/1,3	0,9/0,8	0,6/0,5
ELA600			4,3/3,6	1,4/1,3	0,9/0,8	0,6/0,5
ELA800			3,6/5,0	1,9/2,8	1,5/1,1	0,9/0,7
ELA1200			3,6/5,0	1,9/2,8	1,5/1,1	0,9/0,7
ELA2000			3,6/5,0	1,9/2,8	1,5/1,1	0,9/0,7
ELA2700			3,6/5,0	1,9/2,8	1,5/1,1	0,9/0,7
ELA3000			3,6/5,0	1,9/2,8	1,5/1,1	0,9/0,7
Notes:						
1. 24VAC actuators have 24VDC motors.						
2. 115VAC and 230VAC ±5% according to IEC 60034-1.						

Model	Connection voltage	Mounting flange	Mounting flange 2	Square dimensions	Square depth	Stem shape	Torque	Level of protection (IP value)	Type of regulation	Article
				mm	mm					
ELA80	24V AC/DC	F07		17	33	Double square	78	IP68	Open-close	13494040
ELA80	24V AC/DC	F07		17	33	Double square	78	IP67	Open-close	13359240
ELA80	24V DC	F07		17	33	Double square	78	IP67	Modulating	13588199
ELA80	24V DC	F07		17	33	Double square	78	IP67	Open-close	EC079070000-DCB10
ELA80	230V AC	F07		17	33	Double square	78	IP67	Modulating	13468487
ELA80	230V AC	F07		17	33	Double square	78	IP68	Open-close	EC079070068-DCB30
ELA80	230V AC	F07		17	33	Double square	78	IP67	Open-close	EC079070000-DCB30
ELA80	230V AC	F07		14	33	Double square	78	IP67	Open-close	13468435
ELA100	24V AC/DC	F07		17	33	Double square	98	IP68	Open-close	13503569
ELA100	24V AC/DC	F07		17	33	Double square	98	IP67	Open-close	12669234
ELA100	24V DC	F07		17	33	Double square	98	IP67	Modulating	13664076
ELA100	24V DC	F07		17	33	Double square	98	IP67	Open-close	EC079070000-EB10
ELA100	24V DC	F07		17	33	Double square	98	IP68	Open-close	EC079070068-EB10
ELA100	230V AC	F07		17	33	Double square	98	IP67	Modulating	14088082
ELA100	230V AC	F07		17	33	Double square	98	IP68	Open-close	13468484
ELA100	230V AC	F07		14	33	Double square	98	IP67	Open-close	13468437
ELA100	230V AC	F07		17	33	Double square	98	IP67	Open-close	EC079070000-EB30
ELA150	24V AC/DC	F07	F10	17	45	Double square	147	IP68	Open-close	14087005
ELA150	24V AC/DC	F07	F10	17	45	Double square	147	IP67	Open-close	14087009
ELA150	24V DC	F07	F10	17	45	Double square	147	IP67	Open-close	EC079070000-FB10
ELA150	230V AC	F07	F10	17	45	Double square	147	IP67	Modulating	13490104

Disclaimer: The content of this document has been composed with the utmost care. However, it is possible that certain information changes over time, becomes inaccurate or incomplete. ERIKS does not guarantee that the information provided on this document is up to date, accurate and complete; the information provided is not intended to be advice. ERIKS shall never be liable for damage resulting from the use of the information provided.

Model	Connection voltage	Mounting flange	Mounting flange 2	Square dimensions	Square depth	Stem shape	Torque	Level of protection (IP value)	Type of regulation	Article
				mm	mm					
ELA150	230V AC	F07	F10	17	45	Double square	147	IP67	Modulating	13634590
ELA150	230V AC	F07	F10	17	45	Double square	147	IP68	Open-close	EC079070068-FB30
ELA150	230V AC	F07	F10	17	45	Double square	147	IP67	Open-close	EC079070000-FB30
ELA200	24V AC/DC	F07	F10	17	45	Double square	196	IP67	Open-close	EC079070000-GB11
ELA200	24V AC/DC	F07	F10	17	45	Double square	196	IP68	Open-close	13490238
ELA200	24V DC	F07	F10	17	45	Double square	196	IP67	Open-close	EC079070000-GB10
ELA200	230V AC	F07	F10	17	45	Double square	196	IP67	Modulating	12750045
ELA200	230V AC	F07	F10	17	45	Double square	196	IP68	Open-close	13468483
ELA200	230V AC	F07	F10	17	45	Double square	196	IP67	Open-close	EC079070000-GB30
ELA300	24V AC/DC	F10	F12	22	52	Double square	294	IP67	Open-close	14087006
ELA300	24V AC/DC	F10	F12	22	52	Double square	294	IP68	Open-close	14087007
ELA300	24V DC	F10	F12	22	52	Double square	294	IP68	Modulating	13602587
ELA300	24V DC	F10	F12	22	52	Double square	294	IP67	Open-close	EC079070000-HB10
ELA300	24V DC	F10	F12	22	52	Double square	294	IP68	Open-close	EC079070068-HB10
ELA300	230V AC	F10	F12	22	52	Double square	294	IP67	Modulating	13634956
ELA300	230V AC	F10	F12	22	52	Double square	294	IP67	Modulating	14088083
ELA300	230V AC	F10	F12	22	52	Double square	294	IP68	Open-close	13468482
ELA300	230V AC	F10	F12	22	52	Double square	294	IP67	Open-close	EC079070000-HB30
ELA500	230V AC	F10	F12	27	52	Double square	490	IP67	Modulating	13634955
ELA500	380 V AC	F10	F12	27	52	Double square	490	IP67	Open-close	13498385
ELA600	230V AC	F10	F12	27	52	Double square	588	IP67	Open-close	EC079070000-KAB30
ELA800	230V AC	F12	F14	27	60	Double square	785	IP67	Open-close	EC079070000-LB30
ELA1200	230V AC	F12	F14	27	60	Double square	1177	IP67	Open-close	EC079070000-PB30

Disclaimer: The content of this document has been composed with the utmost care. However, it is possible that certain information changes over time, becomes inaccurate or incomplete. ERIKS does not guarantee that the information provided on this document is up to date, accurate and complete; the information provided is not intended to be advice. ERIKS shall never be liable for damage resulting from the use of the information provided.