



ECON® Electric actuator Series: ELA60 Type: 7907

Characteristics

Series: ELA60
Type: 7907
Transmission: Quarter turn
Top flange standard: ISO 5211
Square type: Double square
Stem shape: Double square
Torque: 58 Nm
Explosion-proof: No
Emergency manual operation: Yes
Potential free switch contact: Yes
Torque switch: No
With mechanical setting indicator: Yes
Material housing: Aluminium
Material cover: Aluminium
Surface protection: Polyester coated
Material shaft: Steel
Material mounting garniture: Stainless steel
Min. ambient temperature: -20 °C
Max. ambient temperature: 80 °C

Application

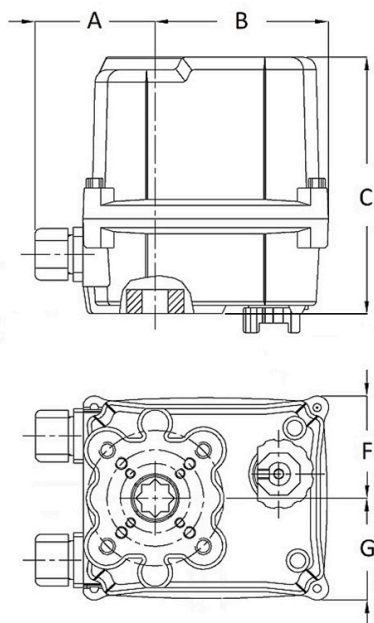
- Suitable for ball valves, ball check valves, butterfly valves and valves without stuffing box/plug valves.
- Industrial and maritime applications.

Technical Information

- Connection voltages: 24 VDC or 24 VAC; 1 phase 50/60 Hz: 115 VAC or 230 VAC \pm 10%; 3 phases 50/60 Hz: 230 VAC, 380 VAC, 440 VAC or 460 VAC \pm 10%.
- IP67 or IP68 protection class (10 m/72 h).
- Ambient temperature: -20°C to +80°C.
- Up to 60 Nm.
- Equipped with four limit switches.
- With standard 14-mm square connection, including inserts for 9 mm and 11 mm.
- Provided with heater for anti-condensation.

Options

- Proportional control unit for modulating purposes (input/output 0~10 VDC 2~10 VDC/4~20 mA).
- Potentiometer (0~1 k Ω).
- Position transmitter (output 4~20 mA).
- Fieldbus systems: ASI bus, Modbus, PROFIBUS and CANopen.
- Explosion-proof housing according to: II 2G Ex dB IIB T4 GB, II 2D Ex tb IIC T1 35°C dB.



Size table:

Model	A mm	B mm	C mm	F mm	G mm	Weight kg
ELA60	63	90	132	53	53	3

Model	Connection voltage	Mounting flange	Mounting flange 2	Mounting flange 3	Square dimensions mm	Square dimensions 2 mm	Square depth mm	Level of protection (IP value)	Type of regulation	Article
ELA60	24V AC/DC	F03	F05	F07	14	11	22	IP67	Open-close	12609516
ELA60	24V AC/DC	F03	F05	F07	14	11	22	IP68	Open-close	13503586
ELA60	24V DC	F03	F05	F07	14	11	22	IP67	Modulating	12684721
ELA60	24V DC	F03	F05	F07	14	11	22	IP67	Open-close	EC079070000-DBB10
ELA60	24V DC	F03	F05	F07	14	11	22	IP68	Open-close	EC079070000-DBB12
ELA60	230V AC	F03	F05	F07	14	11	22	IP67	Modulating	12606929
ELA60	230V AC	F03	F05	F07	14	11	22	IP67	Open-close	EC079070000-DBB30
ELA60	230V AC	F03	F05	F07	14	11	22	IP68	Open-close	EC079070000-DBB31

Disclaimer: The content of this document has been composed with the utmost care. However, it is possible that certain information changes over time, becomes inaccurate or incomplete. ERIKS does not guarantee that the information provided on this document is up to date, accurate and complete; the information provided is not intended to be advice. ERIKS shall never be liable for damage resulting from the use of the information provided.