

STAUFF Gauge adaptor SMA-10



Characteristics

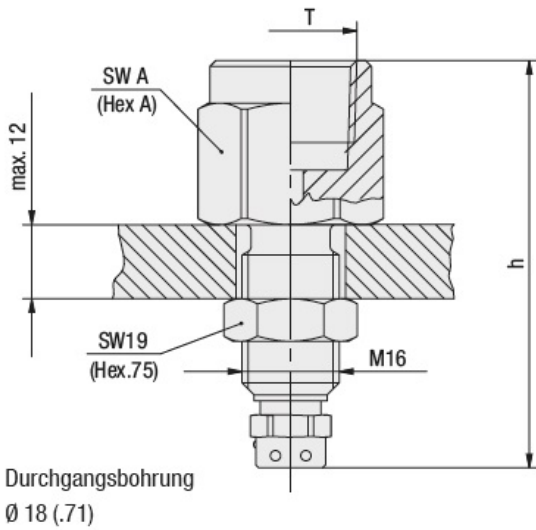
Series: SMA-10

Coupling material: Steel, galvanized

Surface protection: Zinc-Nickel

Size table:

h mm	SW mm	SW A mm	T
67	19	27	G1/2
57	19	19	G1/4
57	19	19	R1/4
57	19	19	1/4 NPT



Connection type	Connection size	Sealing	Port seal	Article
Internal thread	1/2" BSP cyl.	NBR	O-ring	11359426
Internal thread	1/4" BSP cyl.	FKM (FPM)	O-ring	11360231
Internal thread	1/4" BSP cyl.	NBR	O-ring	855138
Internal thread	1/4" NPT			11359428
Internal thread	1/2" BSP cyl.	Copper		11360043

Disclaimer: The content of this document has been composed with the utmost care. However, it is possible that certain information changes over time, becomes inaccurate or incomplete. ERIKS does not guarantee that the information provided on this document is up to date, accurate and complete; the information provided is not intended to be advice. ERIKS shall never be liable for damage resulting from the use of the information provided.