



STAUFF Thread adaptor SRS-20

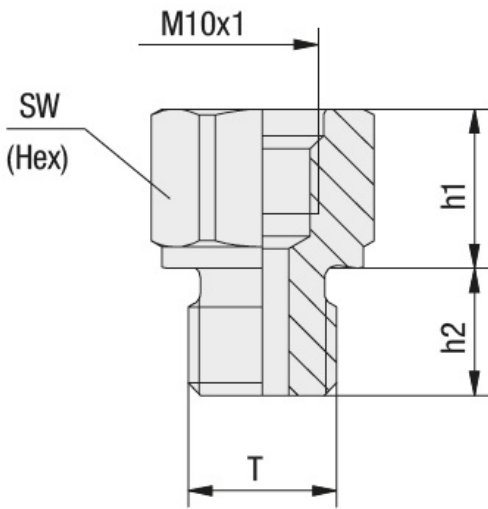
Characteristics

Series: SRS-15

Adaption thread: M 10x1

Coupling material: Steel

Surface protection: Zinc-Nickel



Size table:

h1 mm	h2 mm	SW mm	T
15	12	19	G1/4
15.5	8	17	G1/8
10.5	12	22	G3/8
8	12	22	M16x1.5

Connection type	Connection size	Port seal	Article
External thread	1/4" BSP cyl.	Profile sealing ring	11360027
External thread	1/8" BSP cyl.	Sealing Edge (Form B)	11361599
External thread	3/8" BSP cyl.	Profile sealing ring	11360325
External thread	M 16x1.5	Sealing Edge (Form B)	11361601

Disclaimer: The content of this document has been composed with the utmost care. However, it is possible that certain information changes over time, becomes inaccurate or incomplete. ERIKS does not guarantee that the information provided on this document is up to date, accurate and complete; the information provided is not intended to be advice. ERIKS shall never be liable for damage resulting from the use of the information provided.