

STAUFF Gauge adaptor SMA-20



Characteristics

Series: SMK-20

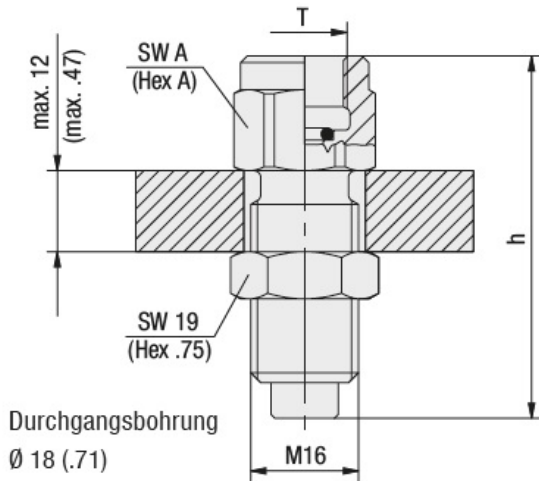
Adaption thread: M 16x2

Coupling material: Steel, galvanized

Surface protection: Zinc-Nickel

Size table:

h mm	SW mm	SW A mm	T
64	19	27	G1/2
64	19	27	1/2 NPT
54	19	19	G1/4
54	19	19	1/4 NPT
54	19	19	7/16-20 UNF



Connection type	Connection size	Sealing	Article
Internal thread	1/2" BSP cyl.	Copper	11360049
Internal thread	1/2" BSP cyl.	FKM [FPM]	11359409
Internal thread	1/2" BSP cyl.	NBR	865036
Internal thread	1/2" NPT		944068
Internal thread	1/4" BSP cyl.	Copper	11360051
Internal thread	1/4" BSP cyl.	EPDM	11359519
Internal thread	1/4" BSP cyl.	FKM [FPM]	11359422
Internal thread	1/4" BSP cyl.	NBR	865028
Internal thread	1/4" NPT	NBR	938661
Internal thread	7/16" - 20 UNF		14674914

Disclaimer: The content of this document has been composed with the utmost care. However, it is possible that certain information changes over time, becomes inaccurate or incomplete. ERIKS does not guarantee that the information provided on this document is up to date, accurate and complete; the information provided is not intended to be advice. ERIKS shall never be liable for damage resulting from the use of the information provided.