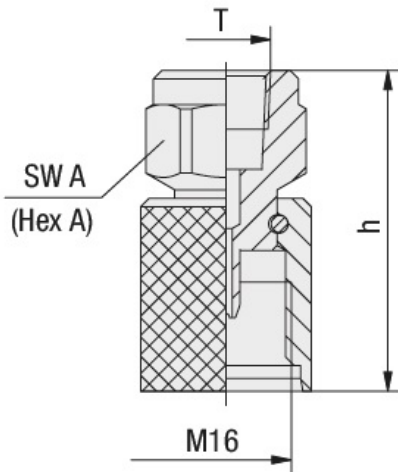


## STAUFF Direct gauge adaptor SMD-20



### Characteristics

- Series:** SMD-20
- Adaption thread:** M 16x2
- Coupling material:** Steel
- Surface protection:** Zinc-Nickel



Size table:

h mm	SW A mm	T
51	27	G1/2
51	27	1/2 NPT
41	19	G1/4
41	19	1/4 NPT
		M12x1.5

Connection type	Connection size	Sealing	Protection cap	Article
Internal thread	1/2" BSP cyl.	FKM (FPM)		11359515
Internal thread	1/2" BSP cyl.	NBR		929131
Internal thread	1/2" BSP cyl.	NBR	Hexagonal protection cap	11360687
Internal thread	1/2" NPT			11359432
Internal thread	1/4" BSP cyl.	FKM (FPM)		11359435
Internal thread	1/4" BSP cyl.	NBR		929158
Internal thread	1/4" BSP cyl.	NBR	Hexagonal protection cap	11359434
Internal thread	1/4" NPT			938696
Internal thread	M 12x1.5	NBR		11361182

Disclaimer: The content of this document has been composed with the utmost care. However, it is possible that certain information changes over time, becomes inaccurate or incomplete. ERIKS does not guarantee that the information provided on this document is up to date, accurate and complete; the information provided is not intended to be advice. ERIKS shall never be liable for damage resulting from the use of the information provided.