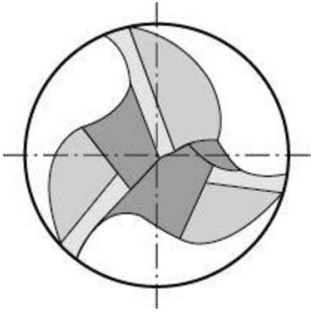


## FORMAT Key way mill N HSSCo type 2154



Design: With centre cut.

Application: Can be used for milling keyways and feather key grooves, dia. tolerance e8 for fit P9 as well as for peripheral milling.



### Characteristics

**Type:** Keyway cutter

**DIN standard:** 844K

Type	Maximum working length mm	Shaft diameter mm	Total length mm	DIN standard	Article
Keyway cutter	13	6	57	844K	23108711
Keyway cutter	11	6	55	844K	23108710
Keyway cutter	8	6	52	844K	23108709
Keyway cutter	13	6	57	844K	23108712
Keyway cutter	13	6	57	844K	23109371
Keyway cutter	16	10	66	844K	23109374
Keyway cutter	19	10	69	844K	23109376
Keyway cutter	16	10	66	844K	23109373
Keyway cutter	22	10	72	844K	23108714
Keyway cutter	16	10	66	844K	23109372
Keyway cutter	19	10	69	844K	23108713
Keyway cutter	26	12	83	844K	23108715
Keyway cutter	32	16	92	844K	23108717
Keyway cutter	38	20	104	844K	23108719
Keyway cutter	38	20	104	844K	23108720

Disclaimer: The content of this document has been composed with the utmost care. However, it is possible that certain information changes over time, becomes inaccurate or incomplete. ERIKS does not guarantee that the information provided on this document is up to date, accurate and complete; the information provided is not intended to be advice. ERIKS shall never be liable for damage resulting from the use of the information provided.