

FORMAT Milling cutter with shank, W HSSco type 2160



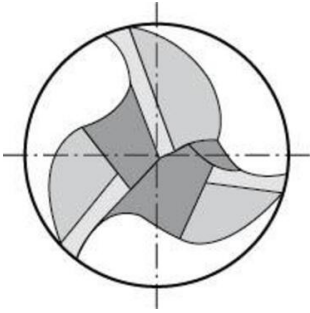
Design: Type W, DIN 844-K, 40°, bright, with special cutting edge geometry and centre cut.

Application: Can be used for the peripheral milling and drilling cutting of soft to tough materials.

Characteristics

Type: Milling cutter with shank

DIN standard: 844K



Type	Maximum working length mm	Shaft diameter mm	Total length mm	DIN standard	Article
Milling cutter with shank	11	6	55	844K	23109688
Milling cutter with shank	13	6	57	844K	23109689
Milling cutter with shank	8	6	52	844K	23109687
Milling cutter with shank	13	6	57	844K	23107817
Milling cutter with shank	22	10	72	844K	23107821
Milling cutter with shank	19	10	69	844K	23107819
Milling cutter with shank	26	12	83	844K	23109695
Milling cutter with shank	32	16	92	844K	23107822
Milling cutter with shank	38	20	104	844K	23109699
Milling cutter with shank	45	25	121	844K	23109702

Disclaimer: The content of this document has been composed with the utmost care. However, it is possible that certain information changes over time, becomes inaccurate or incomplete. ERIKS does not guarantee that the information provided on this document is up to date, accurate and complete; the information provided is not intended to be advice. ERIKS shall never be liable for damage resulting from the use of the information provided.