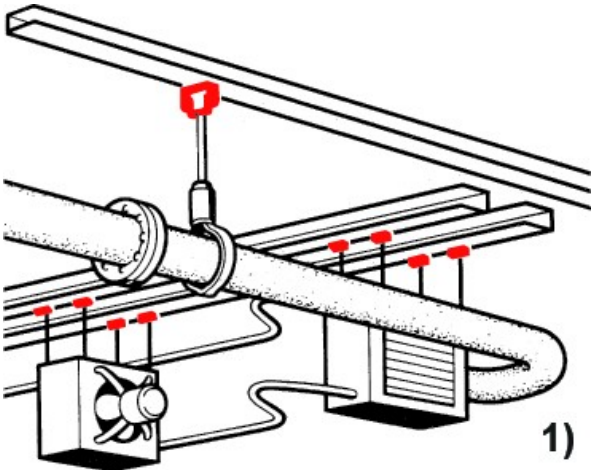
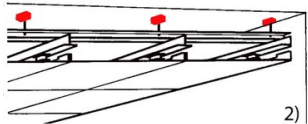
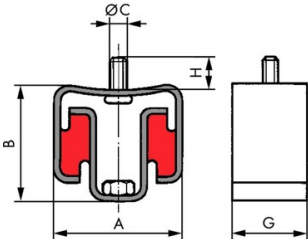




PAULSTRA Vibration damper Traxiflex

Characteristics

Series: TRAXIFLEX
Type: B
Material metal: Steel galvanised



Size table:

H mm	G	A mm	B mm
12	16	47	38
17	16	47	38
13	30	55	47
17	40	74	50

Thread size	H mm	G	A mm	B mm	Article
					10040741
					11517697
					10040742
					12144033
					11049325

Disclaimer: The content of this document has been composed with the utmost care. However, it is possible that certain information changes over time, becomes inaccurate or incomplete. ERIKS does not guarantee that the information provided on this document is up to date, accurate and complete; the information provided is not intended to be advice. ERIKS shall never be liable for damage resulting from the use of the information provided.

Thread size	H mm	G	A mm	B mm	Article
					10040740
M6	12	16	47	38	10040734
M6	17	16	47	38	10040735
M8	13	30	55	47	10040737
M8	13	30	55	47	10040736
M 12	17	40	74	50	10040739
M 12	17	40	74	50	10040738

Disclaimer: The content of this document has been composed with the utmost care. However, it is possible that certain information changes over time, becomes inaccurate or incomplete. ERIKS does not guarantee that the information provided on this document is up to date, accurate and complete; the information provided is not intended to be advice. ERIKS shall never be liable for damage resulting from the use of the information provided.