



## Ball check valve Type: 2631 Ductile cast iron Internal thread (BSPP) PN16

Ductile cast iron ball check valve with floating or sinking ball and thread ends PN16.

### Characteristics

- Type:** 2631
- Norm:** EN (DIN)
- Construction type:** Straight
- Housing material:** Ductile cast iron
- Material quality:** EN-JS1030
- Surface protection:** Epoxy coating (in- and external)
- Connection:** Internal thread (BSPP)
- Face to Face norm:** Manufacturer standard
- Maximum medium temperature (continuous):** 80 °C
- Maximum pressure difference at 20 °C:** 16 bar

### Application

- Water treatment plants, sewage treatment plants, waterworks, pumping stations, etc.
- Liquids with solid particles.
- Can be used as an air vent with floating ball.

### Technical Information

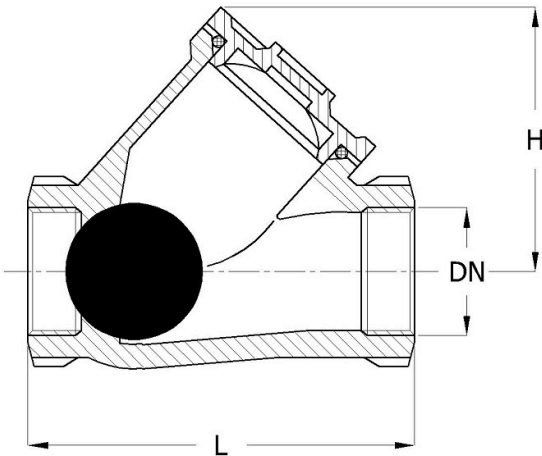
- Design: EN14341 (EN12516).
- Self-cleaning ball.
- Full bore.
- Low pressure loss.

### Options

- Available in stainless steel; type 2646.
- Available with flanged ends; type 2630.

Size table:

DN	H	L	Weight
	mm	mm	kg
1" [25]	85	141	2.2
1.1/4" [32]	85	141	2.2
1.1/2" [40]	90	150	2.8
1.1/2" [40]	90	141	2.8
2" [50]	115	175	3.9
2.1/2" [65]	135	214	6.5
3" [80]	160	248	8.1



Size	Pressure	Temperature range
1" up to 3"	16 bar	-10/+80°C

Nominal inner diameter	Pressure rating	Face to Face length	Valve shape	Kv value	Sealing	Material disc	Material cover	Material cover gasket	Minimum medium temperature (continuous)	Article
		mm		m <sup>3</sup> /h					°C	
1" [25]	PN16	141	Floating ball	21	NBR	Plastic	EN-JS1030	NBR	-10	13371566
1" [25]	PN16	141	Sinking ball	21	NBR	Aluminium + NBR	EN-JS1030	NBR	-10	11812990

Disclaimer: The content of this document has been composed with the utmost care. However, it is possible that certain information changes over time, becomes inaccurate or incomplete. ERIKS does not guarantee that the information provided on this document is up to date, accurate and complete; the information provided is not intended to be advice. ERIKS shall never be liable for damage resulting from the use of the information provided.

Nominal inner diameter	Pressure rating	Face to Face length	Valve shape	Kv value	Sealing	Material disc	Material cover	Material cover gasket	Minimum medium temperature (continuous)	Article
		mm		m <sup>3</sup> /h					°C	
1.1/4" [32]	PN16	141	Floating ball	29	NBR	Plastic	EN-JS1030	NBR	-10	13310606
1.1/4" [32]	PN16	141	Sinking ball	29	NBR	Aluminium + NBR	EN-JS1030	NBR	-10	11812991
1.1/2" [40]	PN16	150	Floating ball	57	NBR	Plastic	EN-JS1030	NBR	-10	13212352
1.1/2" [40]	PN16	150	Sinking ball	57	NBR	Aluminium + NBR	EN-JS1030	NBR	-10	11812988
2" [50]	PN16	175	Sinking ball	78	NBR	Aluminium + NBR	EN-JS1030	NBR	-10	11812989
2.1/2" [65]	PN16	214	Sinking ball	120	NBR	Aluminium + NBR	EN-JS1030	NBR	-10	11812987
3" [80]	PN16	248	Sinking ball	250	NBR	Aluminium + NBR	EN-JS1030	NBR	-10	11812992

Disclaimer: The content of this document has been composed with the utmost care. However, it is possible that certain information changes over time, becomes inaccurate or incomplete. ERIKS does not guarantee that the information provided on this document is up to date, accurate and complete; the information provided is not intended to be advice. ERIKS shall never be liable for damage resulting from the use of the information provided.