



## Ball check valve Type: 2630 Ductile cast iron Flange PN10/16

Ductile cast iron ball check valve with floating or sinking ball and flange connection PN10 or 16.

### Characteristics

- Type:** 2630
- Norm:** EN (DIN)
- Construction type:** Straight
- Housing material:** Ductile cast iron
- Material quality:** EN-JS1030
- Surface protection:** Epoxy coating (in- and external)
- Connection:** Flange
- Flange finish:** Raised face
- Face to Face norm:** EN 558, Series 48
- Minimum medium temperature (continuous):** -10 °C
- Maximum medium temperature (continuous):** 80 °C

### Application

- Water treatment plants, sewage treatment plants, waterworks, pumping stations, etc.
- Liquids with solid particles.
- Can be used as an air vent with floating ball.

### Technical Information

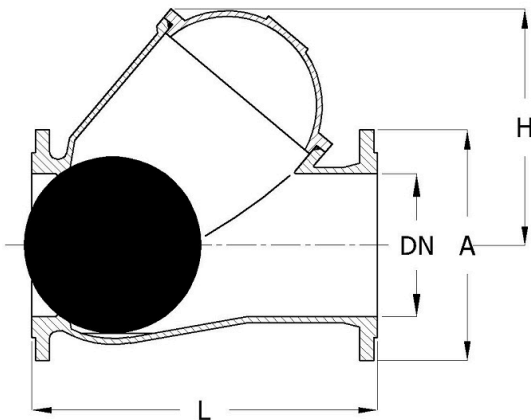
- Design: EN14341 [EN12516].
- Self-cleaning ball.
- Full bore.
- Low pressure loss.

### Options

- Available in stainless steel; type 2645.
- Available with threaded ends; type 2631.

### Size table:

DN	A mm	H mm	L mm	Weight kg
DN40	150	90	180	7.5
DN40	150	90	180	8.2
DN50	165	115	200	8.5
DN50	165	115	200	9.4
DN65	185	135	240	11.5
DN65	185	135	240	12.5
DN80	200	160	260	13
DN80	200	160	260	15
DN100	226	190	300	19
DN100	226	190	300	20
DN125	253	222	350	29
DN125	253	222	350	30
DN150	285	268	400	36
DN150	285	268	400	38
DN200	342	335	500	68
DN200	342	335	500	70
DN250	403	420	600	125
DN300	445	495	700	180
DN400	565	730	900	420



Disclaimer: The content of this document has been composed with the utmost care. However, it is possible that certain information changes over time, becomes inaccurate or incomplete. ERIKS does not guarantee that the information provided on this document is up to date, accurate and complete; the information provided is not intended to be advice. ERIKS shall never be liable for damage resulting from the use of the information provided.

Size	Pressure	Temperature range
DN40 - DN100	10 bar	-10/+80°C
DN125 - DN200	6 bar	-10/+80°C
DN250 - DN400	3 bar	-10/+80°C

Nominal inner diameter	Pressure rating	Face to Face length	Valve shape	Kv value	Sealing	Material disc	Material cover	Material cover gasket	Maximum pressure difference at 20 °C	Article
		mm								
DN40	PN16	180	Floating ball	60	NBR	Aluminium + NBR	EN-JS1030	NBR	16	13175085
DN40	PN16	180	Sinking ball	60	NBR	Aluminium + NBR	EN-JS1030	NBR	16	12160584
DN50	PN16	200	Floating ball	81	NBR	Aluminium + NBR	EN-JS1030	NBR	16	13310604
DN50	PN16	200	Sinking ball	81	NBR	Aluminium + NBR	EN-JS1030	NBR	16	12160585
DN65	PN16	240	Floating ball	130	NBR	Aluminium + NBR	EN-JS1030	NBR	16	13374482
DN65	PN16	240	Sinking ball	130	NBR	Aluminium + NBR	EN-JS1030	NBR	16	12160586
DN80	PN16	260	Floating ball	255	NBR	Aluminium + NBR	EN-JS1030	NBR	16	13359117
DN80	PN16	260	Sinking ball	255	NBR	Aluminium + NBR	EN-JS1030	NBR	16	12160587
DN100	PN16	300	Floating ball	400	NBR	Aluminium + NBR	EN-JS1030	NBR	16	13307929
DN100	PN16	300	Sinking ball	400	NBR	Aluminium + NBR	EN-JS1030	NBR	16	12160588
DN125	PN16	350	Floating ball	645	NBR	Aluminium + NBR	EN-JS1030	NBR	16	13374487
DN125	PN16	350	Sinking ball	645	NBR	Aluminium + NBR	EN-JS1030	NBR	16	12160589
DN150	PN16	400	Floating ball	970	NBR	Aluminium + NBR	EN-JS1030	NBR	16	13145877
DN150	PN16	400	Sinking ball	970	NBR	Aluminium + NBR	EN-JS1030	NBR	16	12160495
DN200	PN10	500	Floating ball	2000	NBR	Aluminium + NBR	EN-JS1030	NBR	10	13374506
DN200	PN10	500	Sinking ball	2000	NBR	Aluminium + NBR	EN-JS1030	NBR	10	12160496
DN250	PN10	600	Sinking ball	3050	NBR	Aluminium + NBR	EN-JS1030	NBR	10	12160480
DN300	PN10	700	Sinking ball	4150	NBR	Aluminium + NBR	EN-JS1030	NBR	10	12648774
DN400	PN10	900	Sinking ball	6600	NBR	Aluminium + NBR	EN-JS1030	NBR	10	12711645

Disclaimer: The content of this document has been composed with the utmost care. However, it is possible that certain information changes over time, becomes inaccurate or incomplete. ERIKS does not guarantee that the information provided on this document is up to date, accurate and complete; the information provided is not intended to be advice. ERIKS shall never be liable for damage resulting from the use of the information provided.