

ECON® Ball valve Type: 7752ISO Stainless steel Internal thread (BSPP) 1000 PSI WOG



Characteristics

Type: 7752ISO
Norm: EN (DIN)
Construction type: 2-way
Housing construction: 2-part
Housing material: Stainless steel
Material quality: 1.4408
Connection: Internal thread (BSPP)
Top flange standard: ISO 5211 Direct Mount
Material ball: 1.4408
Seat material: PTFE
Spindle material: 1.4401
Primary spindle seal material: PTFE
Secondary spindle seal material: FPM (FKM)
Tertiary spindle seal material: PTFE
Body seal: PTFE
Actuator material: 1.4301
Minimum medium temperature (continuous): -29 °C
Maximum medium temperature (continuous): 205 °C

Application

- Compressed air, central heating systems, water, fuel and slightly corrosive systems up to a maximum of 68 bar.
- Recommended in: Food & Beverages

Technical Information

- Connection according to ISO 228-1 BSPP.
- Floating ball.
- Pressure class 1000 PSI WOG
- In sizes 0.25-3 inches
- With "direct mount" top-flange in accordance with ISO-5211.
- Cavity relief bore in the ball.
- Double self-adjusting gland packing in accordance with TA Luft regulations.
- Equipped with lockable lever.

Construction

- Two-piece housing construction.
- Design in accordance with EN 12516-2.
- Full bore.
- Equipped with anti-static design between ball, spindle and housing.

Approval

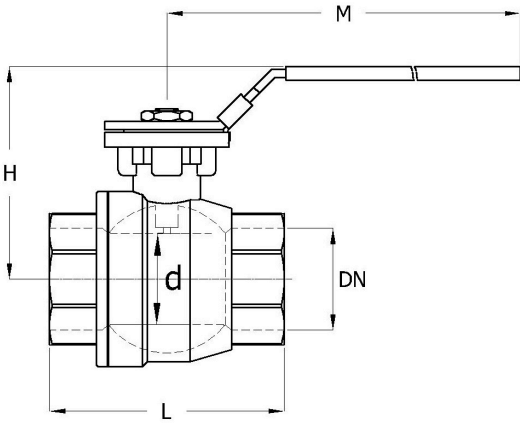
- TA Luft certified in accordance with VDI 2440, section 3.3.1.3.
- Declaration of conformity according to EC 1935/2004.

Options

- Equipped with worm gearbox and pneumatic, electric or hydraulic actuators.
- Position feedback for manual or automated valves.
- Stainless steel extended spindle type 8007 for insulation.
- Connection in NPT according to ASME B1.20.1.

Size table:

DN	d mm	L mm	H mm	M mm	Weight kg
1/4" [8]	10.6	64	72	145	0.4
3/8" [10]	12.7	64	72	145	0.4
1/2" [15]	15	64	72	145	0.5
3/4" [20]	20	70.4	80	145	0.6
1" [25]	25	85	90	175	1
1.1/4" [32]	32	94	95	175	1.4
1.1/2" [40]	38	105	106	194	2.2
2" [50]	50	125	113	194	3.6
2.1/2" [65]	63.5	155	150	265	6.5
3" [80]	76	173	159	265	9.2



Pressure and temperature range

Size	Temperature range	-29	38	100	150	200	[°C]
1/4" - 2"	-29°C/+200°C	68	68	44	22	1	[bar]
2.1/2" - 3"	-29°C/+200°C	50	50	32	16	1	[bar]

Pressure class 1000 PSI WOG

Nominal inner diameter	Standard thread connection	Pressure rating	Face to Face norm	Manual operation	Mounting flange	Mounting flange 2	Bore	With locking device	Maximum operating pressure bar	Article
1/4" [8]	ISO 228-1	1000 PSI WOG	Manufacturer standard	Handle	F03	F04	Full bore	Yes	63	11814680
3/8" [10]	ISO 228-1	1000 PSI WOG	Manufacturer standard	Handle	F03	F04	Full bore	Yes	63	11814681
1/2" [15]	ISO 228-1	1000 PSI WOG	Manufacturer standard	Handle	F03	F04	Full bore	Yes	63	11814682
3/4" [20]	ISO 228-1	1000 PSI WOG	Manufacturer standard	Handle	F03	F05	Full bore	Yes	63	11814683
1" [25]	ISO 228-1	1000 PSI WOG	Manufacturer standard	Handle	F04	F05	Full bore	Yes	63	11814684
1.1/4" [32]	ISO 228-1	1000 PSI WOG	Manufacturer standard	Handle	F04	F07	Full bore	Yes	63	11814685
1.1/2" [40]	ISO 228-1	1000 PSI WOG	Manufacturer standard	Handle	F05	F07	Full bore	Yes	63	11814686
2" [50]	ISO 228-1	1000 PSI WOG	Manufacturer standard	Handle	F05	F07	Full bore	Yes	63	11814687
2.1/2" [65]	ISO 228-1	1000 PSI WOG	Manufacturer standard	Handle	F07	F10	Full bore	Yes	51	11814688
3" [80]	ISO 228-1	1000 PSI WOG	Manufacturer standard	Handle	F07	F10	Full bore	Yes	51	11814689

Disclaimer: The content of this document has been composed with the utmost care. However, it is possible that certain information changes over time, becomes inaccurate or incomplete. ERIKS does not guarantee that the information provided on this document is up to date, accurate and complete; the information provided is not intended to be advice. ERIKS shall never be liable for damage resulting from the use of the information provided.