

## ECON® Ball valve Type: 7744 Stainless steel Internal thread (NPT) 1000 PSI WOG



### Characteristics

- Type:** 7744
- Norm:** ASME
- Construction type:** 2-way
- Housing construction:** 1-part
- Housing material:** Stainless steel
- Material quality:** 1.4408
- Connection:** Internal thread (NPT)
- Primary spindle seal material:** PTFE
- Tertiary spindle seal material:** PTFE
- Actuator material:** 1.4301
- Minimum medium temperature (continuous):** -10 °C
- Maximum medium temperature (continuous):** 205 °C

### Application

- Light industrial applications up to 68 bar.

### Technical Information

- Connection according to ASME B1.20.1 NPT.
- Floating ball.
- Pressure class 1000 PSI WOG
- In sizes 1/4" - 2".

### Construction

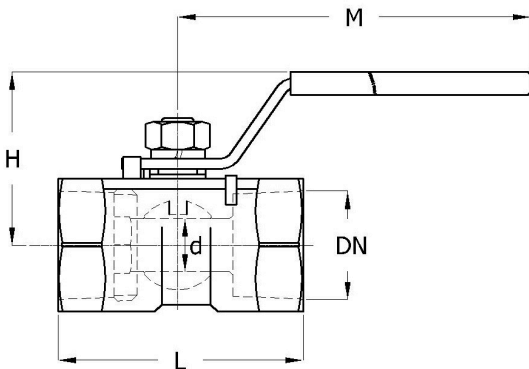
- One-piece housing construction.
- Reduced bore.

### Options

- Connection in BSP according to ISO 228-1.

Size table:

| DN          | d    | L  | H  | M   | Weight |
|-------------|------|----|----|-----|--------|
|             | mm   | mm | mm | mm  | kg     |
| 1/4" [8]    | 5    | 39 | 33 | 71  | 0.1    |
| 3/8" [10]   | 7    | 44 | 35 | 93  | 0.1    |
| 1/2" [15]   | 9.2  | 55 | 40 | 95  | 0.2    |
| 3/4" [20]   | 12.5 | 59 | 44 | 95  | 0.3    |
| 1" [25]     | 15   | 69 | 50 | 113 | 0.4    |
| 1.1/4" [32] | 20   | 77 | 57 | 113 | 0.6    |
| 1.1/2" [40] | 25   | 81 | 64 | 141 | 0.8    |
| 2" [50]     | 32   | 97 | 68 | 141 | 1.2    |



### Pressure and temperature range

| Size      | Temperature range | -10 | 38 | 100 | 150 | 200 | [°C]  |
|-----------|-------------------|-----|----|-----|-----|-----|-------|
| 1/4" - 2" | -10°C/+200°C      | 68  | 68 | 44  | 22  | 1   | [bar] |

Pressure class 1000 PSI WOG

| Nominal inner diameter | Standard thread connection | Pressure rating | Face to Face norm     | Manual operation | Bore         | With locking device | Material ball | Seat material | Spindle material | Article  |
|------------------------|----------------------------|-----------------|-----------------------|------------------|--------------|---------------------|---------------|---------------|------------------|----------|
| 1/4" [8]               | ASME B1.20.1               | 1000 PSI WOG    | Manufacturer standard | Handle           | Reduced bore | No                  | 1.4408        | PTFE          | 1.4401           | 12427441 |
| 3/8" [10]              | ASME B1.20.1               | 1000 PSI WOG    | Manufacturer standard | Handle           | Reduced bore | No                  | 1.4408        | PTFE          | 1.4401           | 12427442 |

Disclaimer: The content of this document has been composed with the utmost care. However, it is possible that certain information changes over time, becomes inaccurate or incomplete. ERIKS does not guarantee that the information provided on this document is up to date, accurate and complete; the information provided is not intended to be advice. ERIKS shall never be liable for damage resulting from the use of the information provided.

## Ball Valves | Ball valves with threaded connection

| Nominal inner diameter | Standard thread connection | Pressure rating | Face to Face norm     | Manual operation | Bore         | With locking device | Material ball | Seat material | Spindle material | Article  |
|------------------------|----------------------------|-----------------|-----------------------|------------------|--------------|---------------------|---------------|---------------|------------------|----------|
| 1/2" [15]              | ASME B1.20.1               | 1000 PSI WOG    | Manufacturer standard | Handle           | Reduced bore | No                  | 1.4408        | PTFE          | 1.4401           | 12427443 |
| 3/4" [20]              | ASME B1.20.1               | 1000 PSI WOG    | Manufacturer standard | Handle           | Reduced bore | No                  | 1.4408        | PTFE          | 1.4401           | 12427444 |
| 1" [25]                | ASME B1.20.1               | 1000 PSI WOG    | Manufacturer standard | Handle           | Reduced bore | No                  | 1.4408        | PTFE          | 1.4401           | 12427445 |
| 1.1/4" [32]            | ASME B1.20.1               | 1000 PSI WOG    | Manufacturer standard | Handle           | Reduced bore | No                  | 1.4408        | PTFE          | 1.4401           | 12427446 |
| 1.1/2" [40]            | ASME B1.20.1               | 1000 PSI WOG    | Manufacturer standard | Handle           | Reduced bore | No                  | 1.4408        | PTFE          | 1.4401           | 12427447 |
| 2" [50]                | ASME B1.20.1               | 1000 PSI WOG    | Manufacturer standard | Handle           | Reduced bore | No                  | 1.4408        | PTFE          | 1.4401           | 12427448 |

Disclaimer: The content of this document has been composed with the utmost care. However, it is possible that certain information changes over time, becomes inaccurate or incomplete. ERIKS does not guarantee that the information provided on this document is up to date, accurate and complete; the information provided is not intended to be advice. ERIKS shall never be liable for damage resulting from the use of the information provided.