



ECON® Ball valve Type: 7446 Stainless steel Internal thread (BSPP) 1000 PSI WOG



Characteristics

Type: 7446

Norm: EN (DIN)

Construction type: 2-way

Housing construction: 3-part

Housing material: Stainless steel

Material quality: 1.4408

Connection: Internal thread (BSPP)

Spindle material: 1.4401

Primary spindle seal material: PTFE

Tertiary spindle seal material: PTFE

Body seal: PTFE

Actuator material: 1.4301

Minimum medium temperature (continuous): -29 °C

Maximum medium temperature (continuous): 205 °C

Application

- Light industrial applications up to 68 bar.
- Recommended in: Food & Beverages

Technical Information

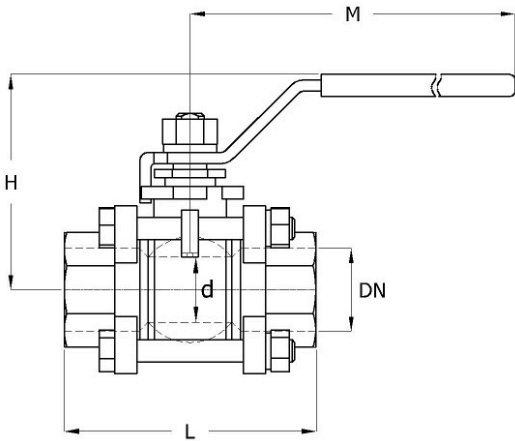
- Connection according to ISO 228-1 BSPP.
- Floating ball.
- Pressure class 1000 PSI WOG
- In sizes 0.25-3 inches
- Cavity relief bore in the ball.
- Equipped with lockable lever.

Construction

- Three-piece housing construction.
- Design in accordance with MSS SP-110.
- Full bore.
- Equipped with anti-static design between ball, spindle and housing.

Options

- Connection in NPT according to ASME B1.20.1, type 7546
- Connection in projection welding acc. to B16.11 or butt welding acc. to B16.25, Schedule 40, type 7646
- With "direct mount" top-flange in accordance with ISO 5211, type 7444



Size table:

DN	d mm	L mm	H mm	M mm	Weight kg
1/4" [8]	10.6	65.2	57.5	100	0.5
3/8" [10]	12.7	65.2	57.5	100	0.5
1/2" [15]	15	69.5	57.5	100	0.6
3/4" [20]	20	80	63	129	0.6
1" [25]	25	90	75.5	156	1
1.1/4" [32]	32	110	81	156	1.4
1.1/2" [40]	38	120	94	182.5	2.2
2" [50]	50	140	104.5	182.5	3.6
2.1/2" [65]	63.5	185	131	252	6
3" [80]	76	205	139	252	9.2

Pressure and temperature range							
Size	Temperature range	-29	38	100	150	200	[°C]
1/4" - 2"	-29°C/+200°C	68	68	44	22	1	[bar]
2.1/2" - 3"	-29°C/+200°C	50	50	32	16	1	[bar]

Pressure class 1000 PSI WOG

Nominal inner diameter	Standard thread connection	Pressure rating	Face to Face norm	Manual operation	Bore	With locking device	Material ball	Seat material	Maximum operating pressure bar	Article
1/4" [8]	ISO 228-1	1000 PSI WOG	Manufacturer standard	Handle	Full bore	Yes	1.4408	PTFE	63	11814465
3/8" [10]	ISO 228-1	1000 PSI WOG	Manufacturer standard	Handle	Full bore	Yes	1.4408	PTFE	63	11814466
1/2" [15]	ISO 228-1	1000 PSI WOG	Manufacturer standard	Handle	Full bore	Yes	1.4408	PTFE	63	11814467
3/4" [20]	ISO 228-1	1000 PSI WOG	Manufacturer standard	Handle	Full bore	Yes	1.4408	PTFE	63	11814468
1" [25]	ISO 228-1	1000 PSI WOG	Manufacturer standard	Handle	Full bore	Yes	1.4408	PTFE	63	11814469
1.1/4" [32]	ISO 228-1	1000 PSI WOG	Manufacturer standard	Handle	Full bore	Yes	1.4408	PTFE	63	11814470
1.1/2" [40]	ISO 228-1	1000 PSI WOG	Manufacturer standard	Handle	Full bore	Yes	1.4408	PTFE	63	11814471
2" [50]	ISO 228-1	1000 PSI WOG	Manufacturer standard	Handle	Full bore	Yes	1.4408	PTFE	63	11814472
2.1/2" [65]	ISO 228-1	1000 PSI WOG	Manufacturer standard	Handle	Full bore	Yes	1.4408	PTFE	51	11814473
3" [80]	ISO 228-1	1000 PSI WOG	Manufacturer standard	Handle	Full bore	Yes	1.4408	PTFE	51	11814474

Disclaimer: The content of this document has been composed with the utmost care. However, it is possible that certain information changes over time, becomes inaccurate or incomplete. ERIKS does not guarantee that the information provided on this document is up to date, accurate and complete; the information provided is not intended to be advice. ERIKS shall never be liable for damage resulting from the use of the information provided.