



ECON® Ball valve Type: 1610FR Brass Internal thread (BSPP)/ External thread (BSPP) PN10

Characteristics

Type: 1610FR
Norm: EN (DIN)
Construction type: 2-way
Housing construction: 1-part
Housing material: Brass
Material quality: CW617N
Surface protection: Chromium-plated
Connection: Internal thread (BSPP)
Connection 2: External thread (BSPP)
Actuator material: PA

Application

- HVAC, water and compressed air systems.

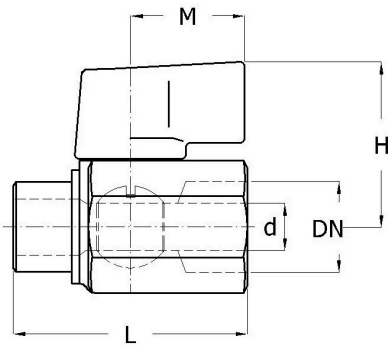
Technical Information

- Connections with male and female threads in accordance with EN-ISO 228-1.
- Ball valve with floating ball.
- Version with lever.
- Available in sizes ranging from 1/8" to 3/4".
- Pressure class PN10.

Construction

- One-piece housing construction.
- Reduced bore.
- Face-to-face dimension according to manufacturer's standard.

Size table:



DN	d mm	L mm	H mm	M mm	Weight kg
1/8" [6]	6	39	27	22	0.08
1/4" [8]	7.5	40	27	22	0.08
3/8" [10]	8	40	27	22	0.07
1/2" [15]	10	45	29	22	0.1
3/4" [20]	13.5	51	32	22	0.18

Pressure and temperature range

Size	Pressure class	-10	90	[°C]
1/4" - 3/4"	PN10	10	8	[bar]

Nominal inner diameter	Standard thread connection	Pressure rating	Face to Face norm	Manual operation	Bore	Material ball	Seat material	Spindle material	Primary spindle seal material	Article
1/8" [6]	ISO 228-1	PN10	Manufacturer standard	Handle	Reduced bore	CW614N chromed	PTFE	CW614N	NBR	12670765
1/4" [8]	ISO 228-1	PN10	Manufacturer standard	Handle	Reduced bore	CW614N chromed	PTFE	CW614N	NBR	12471966
3/8" [10]	ISO 228-1	PN10	Manufacturer standard	Handle	Reduced bore	CW614N chromed	PTFE	CW614N	NBR	11812465
1/2" [15]	ISO 228-1	PN10	Manufacturer standard	Handle	Reduced bore	CW614N chromed	PTFE	CW614N	NBR	12471967
3/4" [20]	ISO 228-1	PN10	Manufacturer standard	Handle	Reduced bore	CW614N chromed	PTFE	CW614N	NBR	11812463

Disclaimer: The content of this document has been composed with the utmost care. However, it is possible that certain information changes over time, becomes inaccurate or incomplete. ERIKS does not guarantee that the information provided on this document is up to date, accurate and complete; the information provided is not intended to be advice. ERIKS shall never be liable for damage resulting from the use of the information provided.