

ECON® Ball valve Type: 1607 Brass Internal thread (BSPP) PN16 to PN80



Characteristics

- Type:** 1607
- Norm:** EN (DIN)
- Construction type:** 2-way
- Housing construction:** 2-part
- Housing material:** Brass
- Material quality:** CW617N
- Surface protection:** Nickel-plated
- Connection:** Internal thread (BSPP)
- Secondary spindle seal material:** HNBR
- Body seal:** PTFE
- Actuator material:** Aluminium

Application

- HVAC, water and compressed air systems.

Technical Information

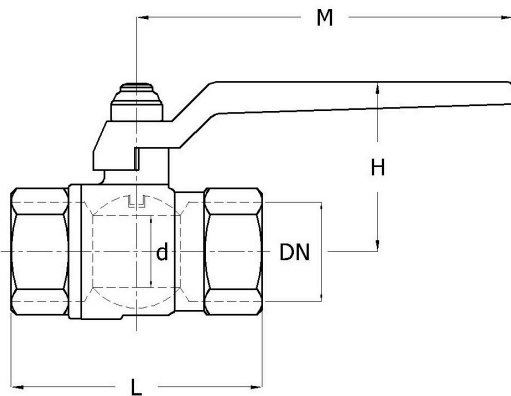
- Connections with female threads in accordance with EN 10226-1 (ISO 7/1).
- Ball valve with floating ball.
- Version with lever.
- Available in sizes ranging from 1/4" to 4".
- Pressure class PN80 for the 1/4" and 3/8" versions, PN50 for the 1/2" to 1 1/4" versions, PN40 for the 1 1/2" and 2" versions, PN25 for the 3" version and PN16 for the 4" version.

Construction

- Two-piece housing construction.
- Design in accordance with EN 13828.
- Full bore.
- Face-to-face dimension according to manufacturer's standard.

Options

- Connections with NPT threads in accordance with ASME B1.20.1, figure 1607NPT.
- With "direct mount" top flange in accordance with ISO 5211, figure 1607ISO.
- Available with extended spindle for insulation.



Size table:

DN	d	L	H	M	Weight
	mm	mm	mm	mm	kg
1/4" [8]	8	47.5	38.5	80	0.13
3/8" [10]	10	49.5	38.5	80	0.14
1/2" [15]	15	59.5	41	95	0.24
3/4" [20]	20	70	50.5	115	0.39
1" [25]	25	83	54.5	115	0.6
1.1/4" [32]	32	98.5	66	130	0.99
1.1/2" [40]	40	108	72	150	1.52
2" [50]	50	130	88.5	170	2.49
2.1/2" [65]	65	158	100	170	3.53
3" [80]	80	181.5	118	235	5.66
4" [100]	100	219	133	235	9.18

Disclaimer: The content of this document has been composed with the utmost care. However, it is possible that certain information changes over time, becomes inaccurate or incomplete. ERIKS does not guarantee that the information provided on this document is up to date, accurate and complete; the information provided is not intended to be advice. ERIKS shall never be liable for damage resulting from the use of the information provided.

Ball Valves | Ball valves with threaded connection

Size	Pressure class	Pressure and temperature range			
		-20	90	130	[°C]
1/4" - 3/8"	PN80	80	50	28	[bar]
1/2" - 1.1/4"	PN50	50	30	18	[bar]
1.1/2" - 2.1/2"	PN40	40	25	16	[bar]
3"	PN25	25	15	9	[bar]
4"	PN16	16	8	4	[bar]

Nominal inner diameter	Standard thread connection	Pressure rating	Face to Face norm	Manual operation	Bore	Material ball	Seat material	Spindle material	Primary spindle seal material	Article
1/4" [8]	ISO 7/1 Rp	PN80	Manufacturer standard	Handle	Full bore	CW614N chromed	PTFE	Brass	PTFE	12410656
3/8" [10]	ISO 7/1 Rp	PN80	Manufacturer standard	Handle	Full bore	CW614N chromed	PTFE	Brass	PTFE	12439131
1/2" [15]	ISO 7/1 Rp	PN50	Manufacturer standard	Handle	Full bore	CW614N chromed	PTFE	Brass	PTFE	12426343
3/4" [20]	ISO 7/1 Rp	PN50	Manufacturer standard	Handle	Full bore	CW614N chromed	PTFE	Brass	PTFE	12439132
1" [25]	ISO 7/1 Rp	PN50	Manufacturer standard	Handle	Full bore	CW614N chromed	PTFE	Brass	PTFE	12439133
1.1/4" [32]	ISO 7/1 Rp	PN50	Manufacturer standard	Handle	Full bore	CW614N chromed	PTFE	Brass	PTFE	12439134
1.1/2" [40]	ISO 7/1 Rp	PN40	Manufacturer standard	Handle	Full bore	CW614N chromed	PTFE	Brass	PTFE	12439135
2" [50]	ISO 7/1 Rp	PN40	Manufacturer standard	Handle	Full bore	CW614N chromed	PTFE	Brass	PTFE	12439136
2.1/2" [65]	ISO 7/1 Rp	PN40	Manufacturer standard	Handle	Full bore	CW614N chromed	PTFE	Brass	PTFE	12439138
3" [80]	ISO 7/1 Rp	PN25	Manufacturer standard	Handle	Full bore	CW614N chromed	PTFE	Brass	PTFE	12439143
4" [100]	ISO 7/1 Rp	PN16	Manufacturer standard	Handle	Full bore	CW614N chromed	PTFE	Brass	PTFE	12439148

Disclaimer: The content of this document has been composed with the utmost care. However, it is possible that certain information changes over time, becomes inaccurate or incomplete. ERIKS does not guarantee that the information provided on this document is up to date, accurate and complete; the information provided is not intended to be advice. ERIKS shall never be liable for damage resulting from the use of the information provided.