

ECON® Ball valve Type: 1601 Brass Internal thread (BSPP)/ External thread (BSPT) PN16 to PN80



Characteristics

- Type:** 1601
- Norm:** EN (DIN)
- Construction type:** 2-way
- Housing construction:** 2-part
- Housing material:** Brass
- Material quality:** CW617N
- Surface protection:** Nickel-plated
- Connection:** Internal thread (BSPP)
- Connection 2:** External thread (BSPT)
- Secondary spindle seal material:** HNBR
- Actuator material:** Aluminium
- Maximum medium temperature (continuous):** 130 °C

Application

- HVAC, water and compressed air systems.

Technical Information

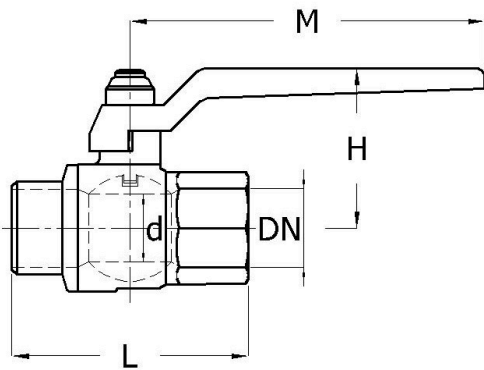
- Connections with male and female threads in accordance with EN 10226-1 (ISO 7/1).
- Ball valve with floating ball.
- Version with lever.
- Available in sizes from 1/4" to 4".
- Pressure class PN80 for 1/4" to 3/8", PN50 for 1/2" to 1.1/4", PN40 for 1.1/2" to 2.1/2", PN25 for 3" and PN16 for 4".

Construction

- Two-piece housing construction.
- Design in accordance with EN 13828.
- Full bore.
- Face-to-face dimension according to manufacturer's standard.

Options

- Available with extended spindle for insulation.



Size table:

DN	d	L	H	M	Weight
	mm	mm	mm	mm	kg
1/4" [8]	8	54.5	38.5	80	0.15
3/8" [10]	10	56	38.5	80	0.16
1/2" [15]	15	67	41	95	0.26
3/4" [20]	20	77.5	50.5	115	0.41
1" [25]	25	89	54.5	115	0.61
1.1/4" [32]	32	103	66	130	1.07
1.1/2" [40]	40	113.5	72	150	1.59
2" [50]	50	136.5	88.5	170	2.6
2.1/2" [65]	65	155.5	100	170	3.53
3" [80]	80	179.5	118	235	5.66

Size	Pressure class	Pressure and temperature range			[°C]
		-20	90	130	
1/4" - 3/8"	PN80	80	50	28	[bar]
1/2" - 1.1/4"	PN50	50	30	18	[bar]
1.1/2" - 2.1/2"	PN40	40	25	16	[bar]

Disclaimer: The content of this document has been composed with the utmost care. However, it is possible that certain information changes over time, becomes inaccurate or incomplete. ERIKS does not guarantee that the information provided on this document is up to date, accurate and complete; the information provided is not intended to be advice. ERIKS shall never be liable for damage resulting from the use of the information provided.

Ball Valves | Ball valves with threaded connection

Size	Pressure class	Pressure and temperature range			
		-20	90	130	[°C]
3"	PN25	25	15	9	[bar]
4"	PN16	16	8	4	[bar]

Nominal inner diameter	Standard thread connection	Pressure rating	Face to Face norm	Manual operation	Bore	Material ball	Seat material	Spindle material	Primary spindle seal material	Article
1/4" [8]	ISO 7/1 Rp/R	PN80	Manufacturer standard	Handle	Full bore	CW614N chromed	PTFE	Brass	PTFE	12439103
3/8" [10]	ISO 7/1 Rp/R	PN80	Manufacturer standard	Handle	Full bore	CW614N chromed	PTFE	Brass	PTFE	12439104
1/2" [15]	ISO 7/1 Rp/R	PN50	Manufacturer standard	Handle	Full bore	CW614N chromed	PTFE	Brass	PTFE	12439105
3/4" [20]	ISO 7/1 Rp/R	PN50	Manufacturer standard	Handle	Full bore	CW614N chromed	PTFE	Brass	PTFE	12439106
1" [25]	ISO 7/1 Rp/R	PN50	Manufacturer standard	Handle	Full bore	CW614N chromed	PTFE	Brass	PTFE	12439107
1.1/4" [32]	ISO 7/1 Rp/R	PN50	Manufacturer standard	Handle	Full bore	CW614N chromed	PTFE	Brass	PTFE	12439108
1.1/2" [40]	ISO 7/1 Rp/R	PN40	Manufacturer standard	Handle	Full bore	CW614N chromed	PTFE	Brass	PTFE	12439109
2" [50]	ISO 7/1 Rp/R	PN40	Manufacturer standard	Handle	Full bore	CW614N chromed	PTFE	Brass	PTFE	12439110
2.1/2" [65]	ISO 7/1 Rp/R	PN40	Manufacturer standard	Handle	Full bore	CW614N chromed	PTFE	Brass	PTFE	12439111
3" [80]	ISO 7/1 Rp/R	PN25	Manufacturer standard	Handle	Full bore	CW614N chromed	PTFE	Brass	PTFE	12439113

Disclaimer: The content of this document has been composed with the utmost care. However, it is possible that certain information changes over time, becomes inaccurate or incomplete. ERIKS does not guarantee that the information provided on this document is up to date, accurate and complete; the information provided is not intended to be advice. ERIKS shall never be liable for damage resulting from the use of the information provided.