

ECON® Bourdon tube pressure gauge Type: 335 Liquid-damped Lower mount Brass Direct



Characteristics

Type: 335
Model: Bourdon tube pressure gauge
Blow-out included: No
Liquid-damped: Yes
Fill fluid: Glycerin
Pressure gauge attachment: Direct
Connection location: Lower mount
Process connection: External thread

Process connection material: Brass

Material dial: Plastic

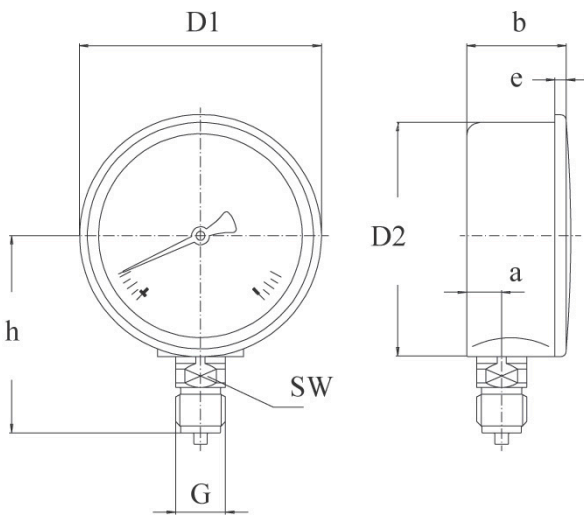
Protection class: IP65

Medium temperature: 0 / 60 °C

Ambient temperature: -20 / 60 °C

Application

- Recommended in: Utilities



Size table:

Cabinet diameter	G	a	b	D1	D2	e	h	SW
		mm	mm	mm	mm	mm	mm	mm
R63	1/4"	11.5	27	68	63	5	54	14

Cabinet diameter	G	D1	D2	b	e	a	sw	h
mm	BSPP	mm	mm	mm	mm	mm	mm	mm
R63	1/4"	68	63	27	5	11.5	14	54

Cabinet diameter	Measuring range	Pressure unit	Secondary scale division	Pressure unit secondary scale	Accuracy class	Size process connection	Cabinet material	Window material	Maximum overpressure	Article
mm									bar	
63	0 / 4	bar/psi	0 - 60	psi	2.5 %	1/4" BSPP(G)	Plastic	Plastic	4	WI003354AH-44210
63	0 / 6	bar/psi	0 - 10	psi	2.5 %	1/4" BSPP(G)	Plastic	Plastic	6	WI003354A14-4210
63	0 / 10	bar/psi	0 - 160	psi	2.5 %	1/4" BSPP(G)	Plastic	Plastic	10	EC003353G2-C5130
63	0 / 25	bar/psi	0 - 400	psi	2.5 %	1/4" BSPP(G)	Plastic	Plastic	25	WI003354AL-44210

Disclaimer: The content of this document has been composed with the utmost care. However, it is possible that certain information changes over time, becomes inaccurate or incomplete. ERIKS does not guarantee that the information provided on this document is up to date, accurate and complete; the information provided is not intended to be advice. ERIKS shall never be liable for damage resulting from the use of the information provided.