



WIKA Bourdon tube pressure gauge Type 1382 bottom connection stainless steel

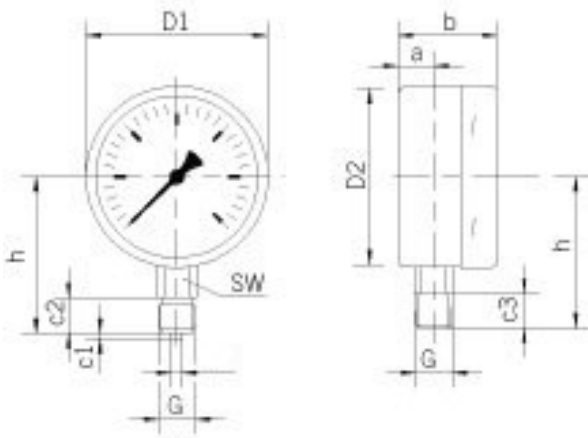
Characteristics

Type: 1382
Model: Bourdon tube pressure gauge
Blow-out included: Yes
Cabinet filling fluid: Glycerin
Pressure gauge attachment: Direct
Connection location: Below
Process connection: External thread
Cabinet material: Stainless steel 304

Process connection material: Stainless steel 316L
Window material: Safety glass
Material dial: Aluminium
Protection class: IP65
Medium temperature: -20 / 100 °C
Ambient temperature: -20 / 60 °C

Application

- Recommended in: Chemical



Size table:

Cabinet diameter	G	a	b	C1	C2	D1	D2	h	SW
		mm	mm	mm	mm	mm	mm	mm	mm
R63	1/4"	9.5	22	2	13	63	62	54	14
R100	1/2"	15.5	49.5	3	20	101	99	87	22
R160	1/2"	15.5	49.5	3	20	161	159	118	22

Cabinet diameter	Measuring range	Pressure unit	Secondary scale division	Pressure unit secondary scale	Accuracy class	Size process connection	Maximum overpressure	Ex-class	Explosion-proof norm	Article
mm							bar			
63	-1 / 0	bar			1.6 %	1/4" BSPP(G)	0			11812241
63	-1 / 0.6	bar			1.6 %	1/4" BSPP(G)	0.6			11812242
63	-1 / 0.6	bar			1.6 %	1/4" NPT	0.6			14070753
63	-1 / 1.5	bar			1.6 %	1/4" BSPP(G)	1.5			12120842
63	-1 / 3	bar			1.6 %	1/4" BSPP(G)	3			12670607
63	-1 / 5	bar			1.6 %	1/4" BSPP(G)	5			11925737
63	-1 / 9	bar			1.6 %	1/4" BSPP(G)	11			11812243
63	-1 / 15	bar			1.6 %	1/4" BSPP(G)	15			13379067
63	0 / 1	bar			1.6 %	1/4" BSPP(G)	1			11812228
63	0 / 1.6	bar			1.6 %	1/4" BSPP(G)	1.6			12365416
63	0 / 2.5	bar			1.6 %	1/4" BSPP(G)	2.5			11812229
63	0 / 4	bar			1.6 %	1/4" BSPP(G)	4			11812230
63	0 / 4	bar			1.6 %	1/4" NPT	4			14099904
63	0 / 6	bar			1.6 %	1/4" BSPP(G)	6			11812231
63	0 / 6	bar			1.6 %	1/4" NPT	6			13666212
63	0 / 10	bar			1.6 %	1/4" BSPP(G)	10			11812232
63	0 / 10	bar			1.6 %	1/4" BSPP(G)	10	Ex h	II 2G Ex h IIC T6-T1 GbX / II 2D Ex h IIC T85-T450 °C DbX	14401539

Disclaimer: The content of this document has been composed with the utmost care. However, it is possible that certain information changes over time, becomes inaccurate or incomplete. ERIKS does not guarantee that the information provided on this document is up to date, accurate and complete; the information provided is not intended to be advice. ERIKS shall never be liable for damage resulting from the use of the information provided.

Pressure meters | Bourdon tube pressure gauge

Cabinet diameter	Measuring range	Pressure unit	Secondary scale division	Pressure unit secondary scale	Accuracy class	Size process connection	Maximum overpressure	Ex-class	Explosion-proof norm	Article
mm							bar			
63	0 / 16	bar			1.6 %	1/4" BSPP[G]	16			11812233
63	0 / 16	bar			1.6 %	1/4" NPT	16			14099905
63	0 / 25	bar			1.6 %	1/4" BSPP[G]	25			11812234
63	0 / 25	bar			1.6 %	1/4" NPT	25			14062591
63	0 / 40	bar			1.6 %	1/4" BSPP[G]	40			11812235
63	0 / 60	bar			1.6 %	1/4" BSPP[G]	60			11812236
63	0 / 60	bar			1.6 %	1/4" NPT	60			14099906
63	0 / 100	bar			1.6 %	1/4" BSPP[G]	100			11812237
63	0 / 100	bar			1.6 %	1/4" NPT	100			14032823
63	0 / 160	bar			1.6 %	1/4" BSPP[G]	160			11812238
63	0 / 250	bar			1.6 %	1/4" BSPP[G]	250			11812239
63	0 / 250	bar			1.6 %	1/4" NPT	250			14032825
63	0 / 400	bar			1.6 %	1/4" BSPP[G]	400			11812240
63	0 / 600	bar			1.6 %	1/4" BSPP[G]	600			12670606
100	-1 / 0	bar			1.0 %	1/2" BSPP[G]	0.3			12670587
100	-1 / 0	bar			1.0 %	1/2" BSPP[G]	0	Ex h	II 2G Ex h IIC T6-T1 GbX / II 2D Ex h IIC T85-T450 °C DbX	14175346
100	-1 / 0.6	bar			1.0 %	1/2" BSPP[G]	0.8			12309881
100	-1 / 0.6	bar			1.0 %	1/2" NPT	0.8			12670557
100	-1 / 1.5	bar			1.0 %	1/2" BSPP[G]	1.9			11812262
100	-1 / 5	bar			1.0 %	1/2" BSPP[G]	6.5			11812263
100	-1 / 5	bar			1.0 %	1/2" BSPP[G]	6.5	Ex h	II 2G Ex h IIC T6-T1 GbX / II 2D Ex h IIC T85-T450 °C DbX	14175343
100	-1 / 9	bar			1.0 %	1/2" BSPP[G]	11			12407048
100	-1 / 9	bar			1.0 %	1/2" BSPP[G]	9	Ex h	II 2G Ex h IIC T6-T1 GbX / II 2D Ex h IIC T85-T450 °C DbX	14175344
100	-1 / 15	bar			1.0 %	1/2" BSPP[G]	19			11812264
100	-1 / 15	bar			1.0 %	1/2" BSPP[G]	19	Ex h	II 2G Ex h IIC T6-T1 GbX / II 2D Ex h IIC T85-T450 °C DbX	14175345
100	0 / 0.6	bar			1.0 %	1/2" BSPP[G]	0.78			11812244
100	0 / 1	bar			1.0 %	1/2" BSPP[G]	1.3			11812245
100	0 / 1	bar			1.0 %	1/2" NPT	1.3			12670553
100	0 / 1.6	bar			1.0 %	1/2" BSPP[G]	2			11812246
100	0 / 2.5	bar			1.0 %	1/2" BSPP[G]	3			11812247
100	0 / 2.5	bar			1.0 %	1/2" NPT	3			12670554
100	0 / 4	bar			1.0 %	1/2" BSPP[G]	5.2			11812248
100	0 / 4	bar			1.0 %	1/2" NPT	5.2			12670555
100	0 / 6	bar			1.0 %	1/2" BSPP[G]	7.8			11812250
100	0 / 6	bar	0 - 100	psi	1.0 %	1/2" NPT	7.8			13379077
100	0 / 10	bar			1.0 %	1/2" BSPP[G]	13			11812251
100	0 / 10	bar			1.0 %	1/2" NPT	13			12670588
100	0 / 10	bar			1.0 %	1/2" NPT	13	Ex h	II 2G Ex h IIC T6-T1 GbX / II 2D Ex h IIC T85-T450 °C DbX	13379080
100	0 / 16	bar			1.0 %	1/2" BSPP[G]	20			11812252

Disclaimer: The content of this document has been composed with the utmost care. However, it is possible that certain information changes over time, becomes inaccurate or incomplete. ERIKS does not guarantee that the information provided on this document is up to date, accurate and complete; the information provided is not intended to be advice. ERIKS shall never be liable for damage resulting from the use of the information provided.

Pressure meters | Bourdon tube pressure gauge

Cabinet diameter	Measuring range	Pressure unit	Secondary scale division	Pressure unit secondary scale	Accuracy class	Size process connection	Maximum overpressure	Ex-class	Explosion-proof norm	Article
mm							bar			
100	0 / 16	bar			1.0 %	1/2" BSPP[G]	20	Ex h	II 2G Ex h IIC T6-T1 GbX / II 2D Ex h IIIC T85-T450 °C DbX	14186655
100	0 / 16	bar			1.0 %	1/2" NPT	20			13401330
100	0 / 25	bar			1.0 %	1/2" BSPP[G]	32			11812253
100	0 / 25	bar			1.0 %	1/2" NPT	32	Ex h	II 2G Ex h IIC T6-T1 GbX / II 2D Ex h IIIC T85-T450 °C DbX	13685882
100	0 / 25	bar	0-400	psi	1.0 %	1/2" NPT	32			13379078
100	0 / 40	bar			1.0 %	1/2" BSPP[G]	52			11812255
100	0 / 60	bar			1.0 %	1/2" BSPP[G]	78			11812256
100	0 / 60	bar			1.0 %	1/2" NPT	78			12670591
100	0 / 100	bar			1.0 %	1/2" BSPP[G]	130			11812257
100	0 / 100	kPa			1.0 %	1/2" BSPP[G]	130			13379079
100	0 / 100	bar			1.0 %	1/2" BSPP[G]	130	Ex h	II 2G Ex h IIC T6-T1 GbX / II 2D Ex h IIIC T85-T450 °C DbX	14175349
100	0 / 160	bar			1.0 %	1/2" BSPP[G]	208			11812258
100	0 / 160	bar			1.0 %	1/2" NPT	208			12670589
100	0 / 250	bar			1.0 %	1/2" BSPP[G]	325			11812259
100	0 / 250	bar	0 - 4000	psi	1.0 %	1/2" NPT	325			13379093
100	0 / 400	bar			1.0 %	1/2" BSPP[G]	520			11812260
100	0 / 600	bar			1.0 %	1/2" BSPP[G]	780			11812261
100	0 / 600	bar			1.0 %	1/2" NPT	780			12670556
160	-1 / 0.6	bar			1.0 %	1/2" BSPP[G]	0.8			12447662
160	-1 / 3	bar			1.0 %	1/2" BSPP[G]	3.9			12670600
160	0 / 6	bar			1.0 %	1/2" BSPP[G]	7.8			12670599
160	0 / 10	bar			1.0 %	1/2" BSPP[G]	13			11812265
160	0 / 16	bar			1.0 %	1/2" BSPP[G]	20			11812266
160	0 / 40	bar			1.0 %	1/2" BSPP[G]	52			12670598
160	0 / 60	bar			1.0 %	1/2" BSPP[G]	78			12670568
160	0 / 100	bar			1.0 %	1/2" BSPP[G]	130			12670595
160	0 / 160	bar			1.0 %	1/2" BSPP[G]	208			12670566
160	0 / 250	bar			1.0 %	1/2" BSPP[G]	325			12670567
160	0 / 400	bar			1.0 %	1/2" BSPP[G]	520			13379086

Disclaimer: The content of this document has been composed with the utmost care. However, it is possible that certain information changes over time, becomes inaccurate or incomplete. ERIKS does not guarantee that the information provided on this document is up to date, accurate and complete; the information provided is not intended to be advice. ERIKS shall never be liable for damage resulting from the use of the information provided.