



WIKA Bourdon tube pressure gauge solid front Type 1366 bottom connection stainless steel

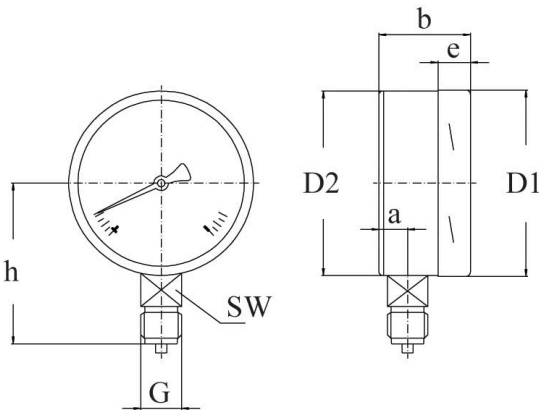
Characteristics

Type: 1366
Model: Solid front
Blow-out included: Yes
Pressure gauge attachment: Direct
Process connection: External thread
Process connection material: Stainless steel 316L

Window material: Safety glass
Protection class: IP66/IP67
Medium temperature: -40 / 200 °C
Ambient temperature: -40 / 60 °C

Application

- Recommended in: Chemical



Size table:

Cabinet diameter	G	a	b	D1	D2	e	h	SW
		mm	mm	mm	mm	mm	mm	mm
R63	1/4"	17.5	42	63	63	14.5	53	14
R100	1/2"	24	57.5	101	100	17.5	87	22
R160	1/2"	24	58	161	160	17.5	118	22

Cabinet diameter mm	Measuring range	Pressure unit	Accuracy class	Cabinet filling fluid	Connection location	Size process connection	Cabinet material	Material dial	Maximum overpressure bar	Article
63	-1 / 0	bar	1.6 %	None	Below	1/4" BSPP(G)	Stainless steel 304	Aluminium	0	11812200
63	-1 / 1.5	bar	1.6 %	None	Below	1/4" BSPP(G)	Stainless steel 304	Aluminium	1.5	13359894
63	-1 / 3	bar	1.6 %	None	Below	1/4" BSPP(G)	Stainless steel 304	Aluminium	3	11812201
63	-1 / 5	bar	1.6 %	None	Below	1/4" BSPP(G)	Stainless steel 304	Aluminium	5	11812202
63	0 / 1.6	bar	1.6 %	None	Below	1/4" BSPP(G)	Stainless steel 304	Aluminium	1.6	11812191
63	0 / 2.5	bar	1.6 %	None	Below	1/4" BSPP(G)	Stainless steel 304	Aluminium	2.5	11812192
63	0 / 4	bar	1.6 %	None	Below	1/4" BSPP(G)	Stainless steel 304	Aluminium	4	11812193
63	0 / 6	bar	1.6 %	None	Below	1/4" BSPP(G)	Stainless steel 304	Aluminium	6	11812194
63	0 / 10	bar	1.6 %	None	Below	1/4" BSPP(G)	Stainless steel 304	Aluminium	10	11812195
63	0 / 16	bar	1.6 %	None	Below	1/4" BSPP(G)	Stainless steel 304	Aluminium	16	11812196
63	0 / 25	bar	1.6 %	None	Below	1/4" BSPP(G)	Stainless steel 304	Aluminium	25	11812197
63	0 / 40	bar	1.6 %	None	Below	1/4" BSPP(G)	Stainless steel 304	Aluminium	40	11812198
63	0 / 250	bar	1.6 %	None	Below	1/4" BSPP(G)	Stainless steel 304	Aluminium	250	13359877
63	0 / 400	bar	1.6 %	None	Below	1/4" BSPP(G)	Stainless steel 304	Aluminium	400	13359878
100	-1 / 3	bar	1.0 %	None	Below	1/2" BSPP(G)	Stainless steel 304	Aluminium	3.9	11812216
100	-1 / 5	bar	1.0 %	None	Below	1/2" BSPP(G)	Stainless steel 304	Aluminium	6.5	11812217

Disclaimer: The content of this document has been composed with the utmost care. However, it is possible that certain information changes over time, becomes inaccurate or incomplete. ERIKS does not guarantee that the information provided on this document is up to date, accurate and complete; the information provided is not intended to be advice. ERIKS shall never be liable for damage resulting from the use of the information provided.

Pressure metres | Bourdon tube pressure gauge

Cabinet diameter mm	Measuring range	Pressure unit	Accuracy class	Cabinet filling fluid	Connection location	Size process connection	Cabinet material	Material dial	Maximum overpressure bar	Article
100	-1 / 9	bar	1.0 %	None	Below	1/2" BSPP[G]	Stainless steel 304	Aluminium	11	11812218
100	-1 / 15	bar	1.0 %	None	Below	1/2" BSPP[G]	Stainless steel 304	Aluminium	19	13359865
100	0 / 1	bar	1.0 %	None	Below	1/2" BSPP[G]	Stainless steel 304	Aluminium	1.3	11812203
100	0 / 1.6	bar	1.0 %	None	Below	1/2" BSPP[G]	Stainless steel 304	Aluminium	2	11812204
100	0 / 2.5	bar	1.0 %	None	Below	1/2" BSPP[G]	Stainless steel 304	Aluminium	3	11812205
100	0 / 6	bar	1.0 %	None	Below	1/2" BSPP[G]	Stainless steel 304	Aluminium	7.8	11812207
100	0 / 10	bar	1.0 %	None	Below	1/2" BSPP[G]	Stainless steel 304	Aluminium	13	11812208
100	0 / 10	bar	1.0 %	None	Below	1/2" NPT	Stainless steel 304	Aluminium	13	13359839
100	0 / 16	bar	1.0 %	None	Below	1/2" BSPP[G]	Stainless steel 304	Aluminium	20	11812209
100	0 / 25	bar	1.0 %	None	Below	1/2" BSPP[G]	Stainless steel 304	Aluminium	32	11812210
100	0 / 40	bar	1.0 %	None	Below	1/2" BSPP[G]	Stainless steel 304	Aluminium	52	11812211
100	0 / 40	bar	1.0 %	None	Below	1/2" NPT	Stainless steel 304	Aluminium	52	13359872
100	0 / 60	bar	1.0 %	None	Below	1/2" BSPP[G]	Stainless steel 304	Aluminium	78	11812212
100	0 / 160	bar	1.0 %	None	Below	1/2" BSPP[G]	Stainless steel 304	Aluminium	208	11812214
160	0 / 25	bar	1.0 %	None	Below	1/2" BSPP[G]	Stainless steel 304	Aluminium	32	11812223

Disclaimer: The content of this document has been composed with the utmost care. However, it is possible that certain information changes over time, becomes inaccurate or incomplete. ERIKS does not guarantee that the information provided on this document is up to date, accurate and complete; the information provided is not intended to be advice. ERIKS shall never be liable for damage resulting from the use of the information provided.