

VOSS Cutting ring ES-4VA



- Cutting ring
- L and S series
- Material: stainless steel 316 Ti
- Moulded seals and O-rings made of FKM (Viton®)

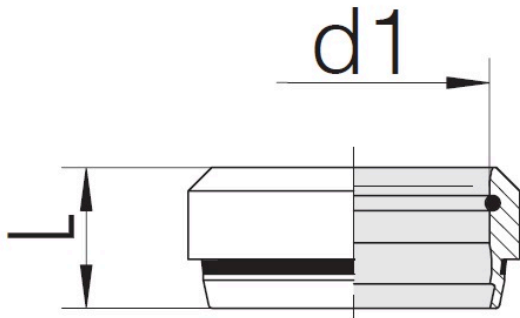
Characteristics

Series: ES-4VA

Material: Stainless steel 316 Ti (1.4571)

Size table:

d1	L
mm	mm
12	9.8
10	9.8
8	8.8
6	8.8
28	11.5
15	10.2
42	13.5
22	11.5
18	10.2
35	13.5
14	10.2
30	13.5
25	12.5
16	10.2
38	13.5
20	12.5



Manufacturer ID	Load class (DIN 2353)	Nominal pressure	Pipe size in mm	Article
24-ES4-L/S12-SST	L / S	PN400/630	12	1058672
24-ES4-L/S10-SST	L / S	PN500/800	10	1058671
24-ES4-L/S8-SST	L / S	PN500/800	8	1058670
24-ES4-L/S6-SST	L / S	PN500/800	6	1058669
24-ES4-L28-SST	L	PN250	28	1058680
24-ES4-L15-SST	L	PN400	15	1058674
24-ES4-L42-SST	L	PN250	42	1058684
24-ES4-L22-SST	L	PN250	22	1058678
24-ES4-L18-SST	L	PN400	18	1058676
24-ES4-L35-SST	L	PN250	35	1058682
24-ES4-S14-SST	S	PN630	14	1058673
24-ES4-S30-SST	S	PN420	30	1058681
24-ES4-S25-SST	S	PN420	25	1058679

Disclaimer: The content of this document has been composed with the utmost care. However, it is possible that certain information changes over time, becomes inaccurate or incomplete. ERIKS does not guarantee that the information provided on this document is up to date, accurate and complete; the information provided is not intended to be advice. ERIKS shall never be liable for damage resulting from the use of the information provided.

Manufacturer ID	Load class (DIN 2353)	Nominal pressure	Pipe size in mm	Article
24-ES4-S16-SST	S	PN630	16	1058675
24-ES4-S38-SST	S	PN420	38	1058683
24-ES4-S20-SST	S	PN420	20	1058677

Disclaimer: The content of this document has been composed with the utmost care. However, it is possible that certain information changes over time, becomes inaccurate or incomplete. ERIKS does not guarantee that the information provided on this document is up to date, accurate and complete; the information provided is not intended to be advice. ERIKS shall never be liable for damage resulting from the use of the information provided.