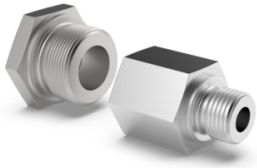


VOSS Straight adapter BSPP-m/BSPP-f RI



- Straight adapter
- BSPP male thread
- BSPP female thread
- Metallic sealing edge Form B

Characteristics

Series: RI

Shape: Straight

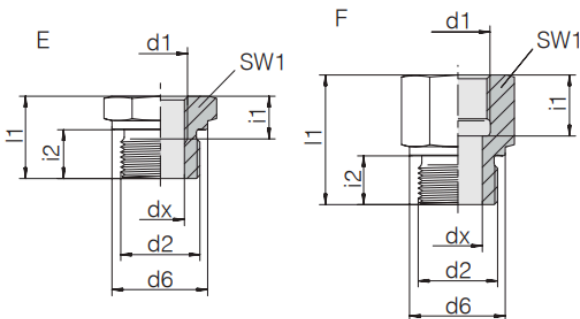
Material: Steel

Surface protection: Zinc-Nickel

Port seal: Sealing Edge [Form B]

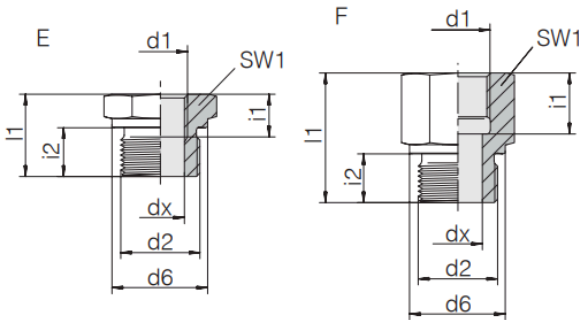
Size table:

| d1 | d2 | d6 | dx | i1 | i2 | l1 | SW1 |
|---------|---------|----|------|------|----|----|-----|
| | | mm | mm | mm | mm | mm | mm |
| G 1.1/4 | G 1.1/2 | 55 | 32 | 26.5 | 22 | 58 | 55 |
| G 1/2 | G 1.1/2 | 55 | 19 | 14 | 22 | 36 | 55 |
| G 1 | G 1.1/2 | 55 | 30.5 | 18 | 22 | 36 | 55 |
| G 3/4 | G 1.1/2 | 55 | 24 | 16 | 22 | 36 | 55 |
| G 1.1/2 | G 1.1/4 | 49 | 25 | 28.5 | 20 | 60 | 60 |
| G 1/2 | G 1.1/4 | 49 | 19 | 14 | 20 | 32 | 50 |
| G 1 | G 1.1/4 | 49 | 25 | 24.5 | 20 | 52 | 50 |
| G 3/4 | G 1.1/4 | 49 | 24 | 16 | 20 | 32 | 50 |
| G 1.1/4 | G 1/2 | 26 | 10 | 26.5 | 14 | 53 | 55 |
| G 1/4 | G 1/2 | 26 | 11.5 | 12 | 14 | 24 | 27 |
| G 1/8 | G 1/2 | 26 | 8.5 | 8 | 14 | 24 | 27 |
| G 1 | G 1/2 | 26 | 12 | 24.5 | 14 | 49 | 41 |
| G 3/4 | G 1/2 | 26 | 12 | 22 | 14 | 46 | 36 |
| G 3/8 | G 1/2 | 26 | 12 | 17 | 14 | 36 | 27 |
| G 1/2 | G 1/4 | 18 | 5 | 20 | 12 | 40 | 27 |
| G 1/8 | G 1/4 | 18 | 7 | 13 | 12 | 30 | 19 |
| G 3/4 | G 1/4 | 18 | 5 | 22 | 12 | 43 | 36 |
| G 3/8 | G 1/4 | 18 | 6 | 17 | 12 | 36 | 24 |
| G 1/4 | G 1/8 | 14 | 4 | 17 | 8 | 31 | 19 |
| G 3/8 | G 1/8 | 14 | 4 | 17 | 8 | 32 | 24 |
| G 1.1/2 | G 1 | 39 | 20 | 28.5 | 18 | 59 | 60 |
| G 1.1/4 | G 1 | 39 | 20 | 26.5 | 18 | 57 | 55 |
| G 1/2 | G 1 | 39 | 19 | 14 | 18 | 29 | 41 |
| G 1/4 | G 1 | 39 | 11.5 | 12 | 18 | 29 | 41 |
| G 3/4 | G 1 | 39 | 20 | 22 | 18 | 47 | 41 |
| G 3/8 | G 1 | 39 | 15 | 12 | 18 | 29 | 41 |



Disclaimer: The content of this document has been composed with the utmost care. However, it is possible that certain information changes over time, becomes inaccurate or incomplete. ERIKS does not guarantee that the information provided on this document is up to date, accurate and complete; the information provided is not intended to be advice. ERIKS shall never be liable for damage resulting from the use of the information provided.

Size table:



| d1 | d2 | d6 | dx | i1 | i2 | l1 | SW1 |
|---------|-------|----|------|------|----|------|-----|
| G 1.1/2 | G 3/4 | 32 | 16 | 28.5 | 16 | 57 | 60 |
| G 1.1/4 | G 3/4 | 32 | 16 | 26.5 | 16 | 55 | 55 |
| G 1/2 | G 3/4 | 32 | 16 | 20 | 16 | 41 | 32 |
| G 1/4 | G 3/4 | 32 | 11.5 | 12 | 16 | 26 | 32 |
| G 1 | G 3/4 | 32 | 16 | 24.5 | 16 | 51 | 41 |
| G 3/8 | G 3/4 | 32 | 15 | 12 | 16 | 26 | 32 |
| G 1/2 | G 3/8 | 22 | 8 | 20 | 12 | 41 | 27 |
| G 1/4 | G 3/8 | 22 | 8 | 17 | 12 | 36 | 22 |
| G 1/8 | G 3/8 | 22 | 8.5 | 8 | 12 | 22.5 | 22 |
| G 3/4 | G 3/8 | 22 | 8 | 22 | 12 | 44 | 36 |

| Manufacturer ID | Connection 1 | Connection size 1 | Connection 2 | Connection size 2 | Maximum operating pressure in bar | Article |
|------------------------|-----------------|-------------------|-----------------|-------------------|-----------------------------------|----------|
| GP-SDS-G11/2B-IG11/4 | External thread | 1.1/2" BSP cyl. | Internal thread | 1.1/4" BSP cyl. | 250 | 796859 |
| GP-SDS-G11/2B-IG1/2 | External thread | 1.1/2" BSP cyl. | Internal thread | 1/2" BSP cyl. | 250 | 1010541 |
| GP-SDS-G11/2B-IG1 | External thread | 1.1/2" BSP cyl. | Internal thread | 1" BSP cyl. | 250 | 796832 |
| GP-SDS-G11/2B-IG3/4 | External thread | 1.1/2" BSP cyl. | Internal thread | 3/4" BSP cyl. | 250 | 796824 |
| GP-SDS-G11/4B-IG11/2 | External thread | 1.1/4" BSP cyl. | Internal thread | 1.1/2" BSP cyl. | 250 | 779423 |
| GP-SDS-G11/4B-IG1/2 | External thread | 1.1/4" BSP cyl. | Internal thread | 1/2" BSP cyl. | 250 | 957259 |
| GP-SDS-G11/4B-IG1 | External thread | 1.1/4" BSP cyl. | Internal thread | 1" BSP cyl. | 250 | 796816 |
| GP-SDS-G11/4B-IG3/4 | External thread | 1.1/4" BSP cyl. | Internal thread | 3/4" BSP cyl. | 250 | 796808 |
| GP-SDS-G1/2B-IG11/4 | External thread | 1/2" BSP cyl. | Internal thread | 1.1/4" BSP cyl. | 250 | 11451727 |
| GP-SDS-G1/2B-IG1/4 | External thread | 1/2" BSP cyl. | Internal thread | 1/4" BSP cyl. | 400 | 796719 |
| GP-SDS-G1/2B-IG1/8 | External thread | 1/2" BSP cyl. | Internal thread | 1/8" BSP cyl. | 400 | 931896 |
| GP-SDS-G1/2B-IG1 | External thread | 1/2" BSP cyl. | Internal thread | 1" BSP cyl. | 400 | 870404 |
| GP-SDS-G1/2B-IG3/4 | External thread | 1/2" BSP cyl. | Internal thread | 3/4" BSP cyl. | 400 | 777226 |
| GP-SDS-G1/2B-IG3/8 | External thread | 1/2" BSP cyl. | Internal thread | 3/8" BSP cyl. | 400 | 796727 |
| GP-SDS-G1/4B-IG1/2 | External thread | 1/4" BSP cyl. | Internal thread | 1/2" BSP cyl. | 630 | 890715 |
| GP-SDS-G1/4B-IG1/8-ID7 | External thread | 1/4" BSP cyl. | Internal thread | 1/8" BSP cyl. | 630 | 796638 |
| GP-SDS-G1/4B-IG3/4 | External thread | 1/4" BSP cyl. | Internal thread | 3/4" BSP cyl. | 630 | 929174 |
| GP-SDS-G1/4B-IG3/8-ID6 | External thread | 1/4" BSP cyl. | Internal thread | 3/8" BSP cyl. | 630 | 870390 |
| GP-SDS-G1/8B-IG1/4 | External thread | 1/8" BSP cyl. | Internal thread | 1/4" BSP cyl. | 630 | 796611 |
| GP-SDS-G1/8B-IG3/8 | External thread | 1/8" BSP cyl. | Internal thread | 3/8" BSP cyl. | 630 | 792470 |
| GP-SDS-G1B-IG11/2 | External thread | 1" BSP cyl. | Internal thread | 1.1/2" BSP cyl. | 250 | 957240 |
| GP-SDS-G1B-IG11/4 | External thread | 1" BSP cyl. | Internal thread | 1.1/4" BSP cyl. | 250 | 923176 |
| GP-SDS-G1B-IG1/2 | External thread | 1" BSP cyl. | Internal thread | 1/2" BSP cyl. | 400 | 796786 |
| GP-SDS-G1B-IG1/4 | External thread | 1" BSP cyl. | Internal thread | 1/4" BSP cyl. | 400 | 957232 |
| GP-SDS-G1B-IG3/4 | External thread | 1" BSP cyl. | Internal thread | 3/4" BSP cyl. | 400 | 796794 |
| GP-SDS-G1B-IG3/8 | External thread | 1" BSP cyl. | Internal thread | 3/8" BSP cyl. | 400 | 779504 |
| GP-SDS-G3/4B-IG11/2 | External thread | 3/4" BSP cyl. | Internal thread | 1.1/2" BSP cyl. | 250 | 11451728 |
| GP-SDS-G3/4B-IG11/4 | External thread | 3/4" BSP cyl. | Internal thread | 1.1/4" BSP cyl. | 250 | 957216 |
| GP-SDS-G3/4B-IG1/2 | External thread | 3/4" BSP cyl. | Internal thread | 1/2" BSP cyl. | 400 | 796743 |
| GP-SDS-G3/4B-IG1/4 | External thread | 3/4" BSP cyl. | Internal thread | 1/4" BSP cyl. | 400 | 796735 |
| GP-SDS-G3/4B-IG1 | External thread | 3/4" BSP cyl. | Internal thread | 1" BSP cyl. | 400 | 796751 |
| GP-SDS-G3/4B-IG3/8 | External thread | 3/4" BSP cyl. | Internal thread | 3/8" BSP cyl. | 400 | 796778 |

Disclaimer: The content of this document has been composed with the utmost care. However, it is possible that certain information changes over time, becomes inaccurate or incomplete. ERIKS does not guarantee that the information provided on this document is up to date, accurate and complete; the information provided is not intended to be advice. ERIKS shall never be liable for damage resulting from the use of the information provided.

| Manufacturer ID | Connection 1 | Connection size 1 | Connection 2 | Connection size 2 | Maximum operating pressure in bar | Article |
|--------------------|-----------------|-------------------|-----------------|-------------------|-----------------------------------|---------|
| GP-SDS-G3/8B-IG1/2 | External thread | 3/8" BSP cyl. | Internal thread | 1/2" BSP cyl. | 400 | 796662 |
| GP-SDS-G3/8B-IG1/4 | External thread | 3/8" BSP cyl. | Internal thread | 1/4" BSP cyl. | 400 | 796646 |
| GP-SDS-G3/8B-IG1/8 | External thread | 3/8" BSP cyl. | Internal thread | 1/8" BSP cyl. | 400 | 957194 |
| GP-SDS-G3/8B-IG3/4 | External thread | 3/8" BSP cyl. | Internal thread | 3/4" BSP cyl. | 400 | 931918 |

Disclaimer: The content of this document has been composed with the utmost care. However, it is possible that certain information changes over time, becomes inaccurate or incomplete. ERIKS does not guarantee that the information provided on this document is up to date, accurate and complete; the information provided is not intended to be advice. ERIKS shall never be liable for damage resulting from the use of the information provided.