

## VOSS Blanking plug with sealing edge PLB



- Cap with sealing edge
- L and S series
- Steel, zinc-nickel coated

### Characteristics

**Series:** VSTO

**Material:** Steel

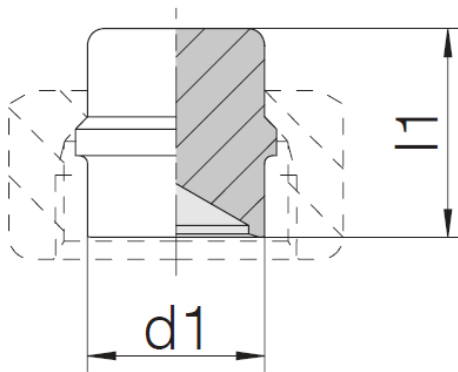
**Surface protection:** Zinc-Nickel

**Adjustable:** No

**Connection 1:** Standpipe connection

### Size table:

d1 mm	l1 mm
6	19.5
8	19.5
10	21
12	21.8
14	23.5
15	22
16	25.5
18	24
20	30.5
22	26
25	32.5
28	26.5
30	35.5
35	32
38	40
42	32.5



Designation	Manufacturer ID	Connection size 1	Nominal pressure	Article
BUZ06L/S	24-PLB-L/S6	6L-6S	PN315/630	781762
BUZ08L/S	24-PLB-L/S8	8L-8S	PN315/630	798681
BUZ10L/S	24-PLB-L/S10	10L-10S	PN315/630	798711
BUZ12L/S	24-PLB-L/S12	12L-12S	PN315/630	798746
BUZ14S	24-PLB-S14	14S - M22x1.5	PN630	863769
BUZ15L	24-PLB-L15	15L - M22x1.5	PN315	779806
BUZ16S	24-PLB-S16	16S - M24x1.5	PN400	798754
BUZ18L	24-PLB-L18	18L - M26x1.5	PN315	947660
BUZ20S	24-PLB-S20	20S - M30x2.0	PN400	798762
BUZ22L	24-PLB-L22	22L - M30x2.0	PN160	779814
BUZ25S	24-PLB-S25	25S - M36x2.0	PN400	798789

Disclaimer: The content of this document has been composed with the utmost care. However, it is possible that certain information changes over time, becomes inaccurate or incomplete. ERIKS does not guarantee that the information provided on this document is up to date, accurate and complete; the information provided is not intended to be advice. ERIKS shall never be liable for damage resulting from the use of the information provided.

Designation	Manufacturer ID	Connection size 1	Nominal pressure	Article
BUZ28L	24-PLB-L28	28L - M36x2.0	PN160	798797
BUZ30S	24-PLB-S30	30S - M42x2.0	PN400	957364
BUZ35L	24-PLB-L35	35L - M45x2.0	PN160	798819
BUZ38S	24-PLB-S38	38S - M52x2.0	PN315	957372
BUZ42L	24-PLB-L42	42L - M52x2.0	PN160	957356

Disclaimer: The content of this document has been composed with the utmost care. However, it is possible that certain information changes over time, becomes inaccurate or incomplete. ERIKS does not guarantee that the information provided on this document is up to date, accurate and complete; the information provided is not intended to be advice. ERIKS shall never be liable for damage resulting from the use of the information provided.