



CHEMVALVE-SCHMID Wafer type check valve Series: PrimeSwing CSC Type: 72827ST Steel Wafer type PN40

Steel wafer type check valve with swing type disc, pressure class PN40.

Characteristics

Series: PrimeSwing CSC
Type: 72827ST
Norm: EN (DIN)
Housing material: Steel
Material quality: 1.0619
Connection: Wafer type
Standard connection: EN (DIN)/ ASME
Face to Face norm: Manufacturer standard
With spring: No
Maximum pressure difference at 20 °C: 40 bar

Application

- General industry.
- Neutral liquids and gases.
- Hot or cold (sea) water, etc.
- Suitable for horizontal and vertical (rising flow) mounting.

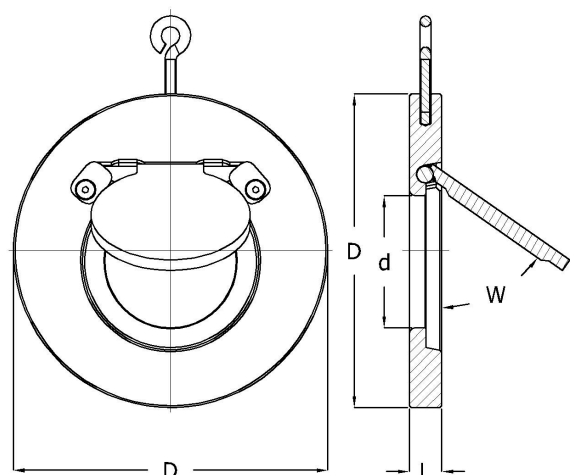
Technical Information

- Mounting between EN (DIN) and/or ASME flanges, varies by size.
- In certain size/pressure class combinations provided with a centering ring.
- Very short Face to Face length.
- Light weight.
- Equipped with lifting eye.
- Testing: EN 12266-1.
- Leakage Class EN 12266-1: with metal or PTFE seal Class D, with EPDM, NBR or FKM seal Class A.
- Information on opening pressures on request.

Options

- Available with spring; type 72828ST.
- Available in stainless steel; type 72827RVS.
- Available in polypropylene; type 72827PP.
- Available in reinforced PTFE; type 72827RPTFE
- Available with soft seal: EPDM, NBR, FKM or PTFE.
- Available in larger sizes.
- Available with O-ring in flange sealing faces, to replace flange gaskets.
- Calculation of the correct size based on process flow data.

Size table:



DN	d mm	D mm	L mm	W °	Weight kg
DN50 - 2"	25	107	16.5	55	1.2
DN65 - 2.1/2"	38	127	16.5	60	1.6
DN80 - 3"	46	133	17.5	55	2.1
DN80 - 3"	46	142	17.5	55	2.1
DN100 - 4"	71.5	177	17.5	55	2.6
DN100 - 4"	71.5	162	17.5	55	2.6
DN100 - 4"	71.5	170	17.5	55	2.6
DN125 - 5"	95	212	19.5	55	4
DN125 - 5"	95	192	19.5	55	4
DN150 - 6"	114	247	19.5	60	6
DN150 - 6"	114	218	19.5	60	6
DN150 - 6"	114	226	19.5	60	6
DN200 - 8"	140	304	30	55	12
DN200 - 8"	140	273	30	55	12
DN200 - 8"	140	283	30	55	12
DN200 - 8"	140	290	30	55	12
DN250 - 10"	188	328	30	50	17
DN250 - 10"	188	352	30	50	17
DN300 - 12"	216	378	34	50	28
DN300 - 12"	216	400	34	50	28
DN300 - 12"	216	417	34	50	28

Pressure rating flange	Centering ring					
	Size					
	DN100	DN125	DN150	DN200	DN250	DN300
PN25	X		X	X	X	X
PN40	X		X	X	X	X
Class 150	X				X	X
Class 300	X	X	X	X	X	X

X: In this size/pressure rating flange combination the centering ring is included.

Nominal inner diameter	Pressure rating	Pressure rating flange	Face to Face length mm	Valve shape	Kv value m³/h	Sealing	Material disc	Minimum medium temperature [continuous] °C	Maximum medium temperature [continuous] °C	Article
DN50 - 2"	PN40	PN10/16/25/40 and Class 300	16.5	Swing type	54	NBR	1.4408	-10	120	11587232
DN65 - 2.1/2"	PN40	PN10/16/25/40 and Class 300	16.5	Swing type	75	NBR	1.4408	-10	120	11587233
DN80 - 3"	PN40	Class 150	17.5	Swing type	112	NBR	1.4408	-10	120	13642009

Disclaimer: The content of this document has been composed with the utmost care. However, it is possible that certain information changes over time, becomes inaccurate or incomplete. ERIKS does not guarantee that the information provided on this document is up to date, accurate and complete; the information provided is not intended to be advice. ERIKS shall never be liable for damage resulting from the use of the information provided.

Nominal inner diameter	Pressure rating	Pressure rating flange	Face to Face length	Valve shape	Kv value	Sealing	Material disc	Minimum medium temperature (continuous)	Maximum medium temperature (continuous)	Article
			mm					°C	°C	
DN80 - 3"	PN40	PN10/16/25/40 and Class 300	17.5	Swing type	112	EPDM	1.4408	-10	130	12950985
DN80 - 3"	PN40	PN10/16/25/40 and Class 300	17.5	Swing type	112	FPM (FKM)	1.4408	-10	200	13641993
DN80 - 3"	PN40	PN10/16/25/40 and Class 300	17.5	Swing type	112	NBR	1.4408	-10	120	11587234
DN100 - 4"	PN40	Class 300	17.5	Swing type	228	EPDM	1.0619	-10	130	14046613
DN100 - 4"	PN40	Class 300	17.5	Swing type	228	NBR	1.0619	-10	120	14046629
DN100 - 4"	PN40	Class 300	17.5	Swing type	228	Steel	1.0619	-10	300	14046597
DN100 - 4"	PN40	PN10/16	17.5	Swing type	228	EPDM	1.0619	-10	130	13528352
DN100 - 4"	PN40	PN10/16	17.5	Swing type	228	NBR	1.0619	-10	120	10050533
DN100 - 4"	PN40	PN10/16	17.5	Swing type	228	Steel	1.0619	-10	300	14046598
DN100 - 4"	PN40	PN25/40 and Class 150	17.5	Swing type	228	EPDM	1.0619	-10	130	14046615
DN100 - 4"	PN40	PN25/40 and Class 150	17.5	Swing type	228	NBR	1.0619	-10	120	14046630
DN100 - 4"	PN40	PN25/40 and Class 150	17.5	Swing type	228	Steel	1.0619	-10	300	14046599
DN125 - 5"	PN40	Class 300	19.5	Swing type	342	EPDM	1.0619	-10	130	14046616
DN125 - 5"	PN40	Class 300	19.5	Swing type	342	NBR	1.0619	-10	120	14046631
DN125 - 5"	PN40	Class 300	19.5	Swing type	342	Steel	1.0619	-10	300	14046601
DN125 - 5"	PN40	PN10/16/25/40 and Class 150	19.5	Swing type	342	EPDM	1.0619	-10	130	13528385
DN125 - 5"	PN40	PN10/16/25/40 and Class 150	19.5	Swing type	342	NBR	1.0619	-10	120	10050534
DN125 - 5"	PN40	PN10/16/25/40 and Class 150	19.5	Swing type	342	Steel	1.0619	-10	300	14046602
DN150 - 6"	PN40	Class 300	19.5	Swing type	490	EPDM	1.0619	-10	130	14046617
DN150 - 6"	PN40	Class 300	19.5	Swing type	490	NBR	1.0619	-10	120	14046633
DN150 - 6"	PN40	Class 300	19.5	Swing type	490	Steel	1.0619	-10	300	14046603
DN150 - 6"	PN40	PN10/16 and Class 150	19.5	Swing type	490	EPDM	1.0619	-10	130	13492426
DN150 - 6"	PN40	PN10/16 and Class 150	19.5	Swing type	490	NBR	1.0619	-10	120	10050535
DN150 - 6"	PN40	PN10/16 and Class 150	19.5	Swing type	490	Steel	1.0619	-10	300	14046604
DN150 - 6"	PN40	PN25/40	19.5	Swing type	490	EPDM	1.0619	-10	130	14046620
DN150 - 6"	PN40	PN25/40	19.5	Swing type	490	NBR	1.0619	-10	120	14046634
DN150 - 6"	PN40	PN25/40	19.5	Swing type	490	Steel	1.0619	-10	300	14046605
DN200 - 8"	PN40	Class 300	30	Swing type	810	EPDM	1.0619	-10	130	14046621
DN200 - 8"	PN40	Class 300	30	Swing type	810	NBR	1.0619	-10	120	14046635
DN200 - 8"	PN40	Class 300	30	Swing type	810	Steel	1.0619	-10	300	14046606
DN200 - 8"	PN40	PN10/16 and Class 150	30	Swing type	810	NBR	1.0619	-10	120	10050536
DN200 - 8"	PN40	PN10/16 and Class 150	30	Swing type	810	Steel	1.0619	-10	300	13641970
DN200 - 8"	PN40	PN25	30	Swing type	810	EPDM	1.0619	-10	130	14046622
DN200 - 8"	PN40	PN25	30	Swing type	810	NBR	1.0619	-10	120	14046636
DN200 - 8"	PN40	PN25	30	Swing type	810	Steel	1.0619	-10	300	14046607
DN200 - 8"	PN40	PN40	30	Swing type	810	EPDM	1.0619	-10	130	14046623
DN200 - 8"	PN40	PN40	30	Swing type	810	NBR	1.0619	-10	120	14046637
DN200 - 8"	PN40	PN40	30	Swing type	810	Steel	1.0619	-10	300	14046608
DN250 - 10"	PN40	PN10/16	30	Swing type	1.5	EPDM	1.0619	-10	130	14046624
DN250 - 10"	PN40	PN10/16	30	Swing type	1500	NBR	1.0619	-10	120	10050537
DN250 - 10"	PN40	PN40 and Class 300	30	Swing type	1.5	EPDM	1.0619	-10	130	14046625
DN250 - 10"	PN40	PN40 and Class 300	30	Swing type	1500	NBR	1.0619	-10	120	14046638

Disclaimer: The content of this document has been composed with the utmost care. However, it is possible that certain information changes over time, becomes inaccurate or incomplete. ERIKS does not guarantee that the information provided on this document is up to date, accurate and complete; the information provided is not intended to be advice. ERIKS shall never be liable for damage resulting from the use of the information provided.

Nominal inner diameter	Pressure rating	Pressure rating flange	Face to Face length	Valve shape	Kv value	Sealing	Material disc	Minimum medium temperature (continuous)	Maximum medium temperature (continuous)	Article
			mm					°C	°C	
DN250 - 10"	PN40	PN40 and Class 300	30	Swing type	1.5	Steel	1.0619	-10	300	14046609
DN300 - 12"	PN40	PN10/16	34	Swing type	2076	EPDM	1.0619	-10	130	14046626
DN300 - 12"	PN40	PN10/16	34	Swing type	2076	NBR	1.0619	-10	120	10050538
DN300 - 12"	PN40	PN10/16	34	Swing type	2076	Steel	1.0619	-10	300	14046610
DN300 - 12"	PN40	PN25 and Class 150	34	Swing type	2076	EPDM	1.0619	-10	130	14046627
DN300 - 12"	PN40	PN25 and Class 150	34	Swing type	2076	NBR	1.0619	-10	120	14046639
DN300 - 12"	PN40	PN25 and Class 150	34	Swing type	2076	Steel	1.0619	-10	300	14046611
DN300 - 12"	PN40	PN40 and Class 300	34	Swing type	2076	EPDM	1.0619	-10	130	14046628
DN300 - 12"	PN40	PN40 and Class 300	34	Swing type	2076	NBR	1.0619	-10	120	14046640
DN300 - 12"	PN40	PN40 and Class 300	34	Swing type	2076	Steel	1.0619	-10	300	14046612

Disclaimer: The content of this document has been composed with the utmost care. However, it is possible that certain information changes over time, becomes inaccurate or incomplete. ERIKS does not guarantee that the information provided on this document is up to date, accurate and complete; the information provided is not intended to be advice. ERIKS shall never be liable for damage resulting from the use of the information provided.