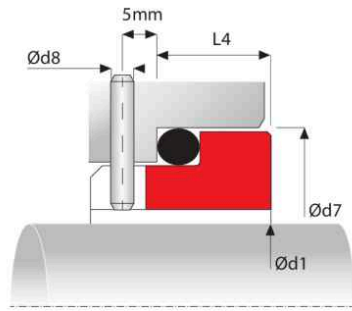


## Mechanical Seal stator type SBO



Size table:

d1	d7	d8	l4
mm	mm	mm	mm
10	21	3	10
12	23	3	10
14	25	3	10
15	25	3	10
16	27	3	10
18	33	3	11.5
20	35	3	11.5
22	37	3	11.5
24	39	3	11.5
25	40	3	11.5
28	43	3	11.5
30	45	3	11.5
32	48	3	11.5
33	48	3	11.5
35	50	3	11.5
38	56	4	14
40	58	4	14
43	61	4	14
45	63	4	14
48	66	4	14
50	70	4	15
53	73	4	15
55	75	4	15



Countersliding ring material	Secondary seal material	d1	d7	d8	l4	Article
		mm	mm	mm	mm	Max. 200 articles in the table
Carbon	EPDM	10	21	3	10	12411630
Carbon	FPM	10	21	3	10	12411666
Carbon	NBR	10	21	3	10	12411643
Siliciumcarbide	EPDM	10	21	3	10	12411631
Siliciumcarbide	FPM	10	21	3	10	12411667

Disclaimer: The content of this document has been composed with the utmost care. However, it is possible that certain information changes over time, becomes inaccurate or incomplete. ERIKS does not guarantee that the information provided on this document is up to date, accurate and complete; the information provided is not intended to be advice. ERIKS shall never be liable for damage resulting from the use of the information provided.

Countersliding ring material	Secondary seal material	d1	d7	d8	l4	Article
		mm	mm	mm	mm	
Siliciumcarbide	NBR	10	21	3	10	12411644
Tungstencarbide	EPDM	10	21	3	10	12411629
Tungstencarbide	FPM	10	21	3	10	12411665
Tungstencarbide	NBR	10	21	3	10	12411642
Carbon	EPDM	12	23	3	10	12412072
Carbon	FPM	12	23	3	10	12412104
Carbon	NBR	12	23	3	10	12412088
Siliciumcarbide	EPDM	12	23	3	10	12412073
Siliciumcarbide	FPM	12	23	3	10	12412105
Siliciumcarbide	NBR	12	23	3	10	12412090
Tungstencarbide	EPDM	12	23	3	10	12412070
Tungstencarbide	FPM	12	23	3	10	12412102
Tungstencarbide	NBR	12	23	3	10	12412085
Carbon	EPDM	14	25	3	10	12412600
Carbon	FPM	14	25	3	10	12412632
Carbon	NBR	14	25	3	10	12412615
Siliciumcarbide	EPDM	14	25	3	10	12412601
Siliciumcarbide	FPM	14	25	3	10	12412634
Siliciumcarbide	NBR	14	25	3	10	12412617
Tungstencarbide	EPDM	14	25	3	10	12412599
Tungstencarbide	FPM	14	25	3	10	12412629
Tungstencarbide	NBR	14	25	3	10	12412612
Carbon	EPDM	15	25	3	10	12412903
Carbon	FPM	15	25	3	10	12412930
Carbon	NBR	15	25	3	10	12412917
Siliciumcarbide	EPDM	15	25	3	10	12412904
Siliciumcarbide	FPM	15	25	3	10	12412931
Siliciumcarbide	NBR	15	25	3	10	12412918
Tungstencarbide	EPDM	15	25	3	10	12412902
Tungstencarbide	FPM	15	25	3	10	12412929
Tungstencarbide	NBR	15	25	3	10	12412915
Carbon	EPDM	16	27	3	10	12413372
Carbon	FPM	16	27	3	10	12413404
Carbon	NBR	16	27	3	10	12413388
Siliciumcarbide	EPDM	16	27	3	10	12413373
Siliciumcarbide	FPM	16	27	3	10	12413406
Siliciumcarbide	NBR	16	27	3	10	12413389
Tungstencarbide	EPDM	16	27	3	10	12413370
Tungstencarbide	FPM	16	27	3	10	12413401
Tungstencarbide	NBR	16	27	3	10	12413385
Carbon	EPDM	18	33	3	11.5	12413826
Carbon	FPM	18	33	3	11.5	12413858
Carbon	NBR	18	33	3	11.5	12413841
Siliciumcarbide	EPDM	18	33	3	11.5	12413827
Siliciumcarbide	FPM	18	33	3	11.5	12413859
Siliciumcarbide	NBR	18	33	3	11.5	12413843
Tungstencarbide	EPDM	18	33	3	11.5	12413824
Tungstencarbide	FPM	18	33	3	11.5	12413855
Tungstencarbide	NBR	18	33	3	11.5	12413838
Carbon	EPDM	20	35	3	11.5	12414392
Carbon	NBR	20	35	3	11.5	12414408
Siliciumcarbide	EPDM	20	35	3	11.5	12414394

Disclaimer: The content of this document has been composed with the utmost care. However, it is possible that certain information changes over time, becomes inaccurate or incomplete. ERIKS does not guarantee that the information provided on this document is up to date, accurate and complete; the information provided is not intended to be advice. ERIKS shall never be liable for damage resulting from the use of the information provided.

Countersliding ring material	Secondary seal material	d1	d7	d8	l4	Article
		mm	mm	mm	mm	
Siliciumcarbide	FPM	20	35	3	11.5	12414425
Siliciumcarbide	NBR	20	35	3	11.5	12414410
Tungstencarbide	EPDM	20	35	3	11.5	12414391
Tungstencarbide	FPM	20	35	3	11.5	12414421
Tungstencarbide	NBR	20	35	3	11.5	12414405
Carbon	EPDM	22	37	3	11.5	12414840
Carbon	FPM	22	37	3	11.5	12414872
Carbon	NBR	22	37	3	11.5	12414856
Siliciumcarbide	EPDM	22	37	3	11.5	12414841
Siliciumcarbide	FPM	22	37	3	11.5	12414874
Siliciumcarbide	NBR	22	37	3	11.5	12414858
Tungstencarbide	EPDM	22	37	3	11.5	12414838
Tungstencarbide	FPM	22	37	3	11.5	12414870
Tungstencarbide	NBR	22	37	3	11.5	12414853
Carbon	EPDM	24	39	3	11.5	12415356
Carbon	FPM	24	39	3	11.5	12415387
Carbon	NBR	24	39	3	11.5	12415372
Siliciumcarbide	EPDM	24	39	3	11.5	12415357
Siliciumcarbide	FPM	24	39	3	11.5	12415389
Siliciumcarbide	NBR	24	39	3	11.5	12415373
Tungstencarbide	EPDM	24	39	3	11.5	12415354
Tungstencarbide	FPM	24	39	3	11.5	12415385
Tungstencarbide	NBR	24	39	3	11.5	12415369
Carbon	FPM	25	40	3	11.5	12415784
Carbon	NBR	25	40	3	11.5	12415770
Siliciumcarbide	EPDM	25	40	3	11.5	12415755
Siliciumcarbide	FPM	25	40	3	11.5	12415787
Siliciumcarbide	NBR	25	40	3	11.5	12415772
Tungstencarbide	EPDM	25	40	3	11.5	12415752
Tungstencarbide	FPM	25	40	3	11.5	12415781
Tungstencarbide	NBR	25	40	3	11.5	12415767
Carbon	EPDM	28	43	3	11.5	12416252
Carbon	FPM	28	43	3	11.5	12416283
Carbon	NBR	28	43	3	11.5	12416267
Siliciumcarbide	EPDM	28	43	3	11.5	12416253
Siliciumcarbide	FPM	28	43	3	11.5	12416285
Siliciumcarbide	NBR	28	43	3	11.5	12416269
Tungstencarbide	EPDM	28	43	3	11.5	12416251
Tungstencarbide	FPM	28	43	3	11.5	12416281
Tungstencarbide	NBR	28	43	3	11.5	12416264
Carbon	EPDM	30	45	3	11.5	12416783
Carbon	FPM	30	45	3	11.5	12416812
Carbon	NBR	30	45	3	11.5	12416798
Siliciumcarbide	EPDM	30	45	3	11.5	11308897
Siliciumcarbide	FPM	30	45	3	11.5	12416814
Siliciumcarbide	NBR	30	45	3	11.5	12416800
Tungstencarbide	EPDM	30	45	3	11.5	12416781
Tungstencarbide	FPM	30	45	3	11.5	12416810
Tungstencarbide	NBR	30	45	3	11.5	12416795
Carbon	EPDM	32	48	3	11.5	12417252
Carbon	FPM	32	48	3	11.5	12417286
Carbon	NBR	32	48	3	11.5	12417270

Disclaimer: The content of this document has been composed with the utmost care. However, it is possible that certain information changes over time, becomes inaccurate or incomplete. ERIKS does not guarantee that the information provided on this document is up to date, accurate and complete; the information provided is not intended to be advice. ERIKS shall never be liable for damage resulting from the use of the information provided.

Countersliding ring material	Secondary seal material	d1	d7	d8	l4	Article
		mm	mm	mm	mm	
Siliciumcarbide	EPDM	32	48	3	11.5	12417255
Siliciumcarbide	FPM	32	48	3	11.5	12417287
Siliciumcarbide	NBR	32	48	3	11.5	12417272
Tungstencarbide	EPDM	32	48	3	11.5	12417251
Tungstencarbide	FPM	32	48	3	11.5	12417283
Tungstencarbide	NBR	32	48	3	11.5	12417267
Carbon	EPDM	33	48	3	11.5	12417660
Carbon	FPM	33	48	3	11.5	12417682
Carbon	NBR	33	48	3	11.5	12417668
Siliciumcarbide	EPDM	33	48	3	11.5	12417661
Siliciumcarbide	FPM	33	48	3	11.5	12131937
Siliciumcarbide	NBR	33	48	3	11.5	12417670
Tungstencarbide	EPDM	33	48	3	11.5	12417658
Tungstencarbide	FPM	33	48	3	11.5	12417680
Tungstencarbide	NBR	33	48	3	11.5	12417665
Carbon	EPDM	35	50	3	11.5	12418108
Carbon	FPM	35	50	3	11.5	12418141
Carbon	NBR	35	50	3	11.5	12418126
Siliciumcarbide	EPDM	35	50	3	11.5	12418111
Siliciumcarbide	FPM	35	50	3	11.5	12418144
Siliciumcarbide	NBR	35	50	3	11.5	12418128
Tungstencarbide	EPDM	35	50	3	11.5	12418107
Tungstencarbide	FPM	35	50	3	11.5	12418139
Tungstencarbide	NBR	35	50	3	11.5	12418123
Carbon	EPDM	38	56	4	14	12418516
Carbon	FPM	38	56	4	14	12418549
Carbon	NBR	38	56	4	14	12418532
Siliciumcarbide	EPDM	38	56	4	14	12418517
Siliciumcarbide	FPM	38	56	4	14	12418551
Siliciumcarbide	NBR	38	56	4	14	12418534
Tungstencarbide	EPDM	38	56	4	14	12418514
Tungstencarbide	FPM	38	56	4	14	12418546
Tungstencarbide	NBR	38	56	4	14	12418529
Carbon	EPDM	40	58	4	14	12419004
Carbon	FPM	40	58	4	14	12419031
Carbon	NBR	40	58	4	14	12419017
Siliciumcarbide	EPDM	40	58	4	14	12419005
Siliciumcarbide	FPM	40	58	4	14	12419033
Siliciumcarbide	NBR	40	58	4	14	12419019
Tungstencarbide	FPM	40	58	4	14	12397167
Tungstencarbide	NBR	40	58	4	14	12419015
Carbon	EPDM	43	61	4	14	12419446
Carbon	FPM	43	61	4	14	12419478
Carbon	NBR	43	61	4	14	12419462
Siliciumcarbide	EPDM	43	61	4	14	12419447
Siliciumcarbide	FPM	43	61	4	14	12419480
Siliciumcarbide	NBR	43	61	4	14	12419464
Tungstencarbide	EPDM	43	61	4	14	12419445
Tungstencarbide	FPM	43	61	4	14	12419476
Tungstencarbide	NBR	43	61	4	14	12419459
Carbon	EPDM	45	63	4	14	12419901
Carbon	FPM	45	63	4	14	12419932

Disclaimer: The content of this document has been composed with the utmost care. However, it is possible that certain information changes over time, becomes inaccurate or incomplete. ERIKS does not guarantee that the information provided on this document is up to date, accurate and complete; the information provided is not intended to be advice. ERIKS shall never be liable for damage resulting from the use of the information provided.

Countersliding ring material	Secondary seal material	d1	d7	d8	l4	Article
		mm	mm	mm	mm	
Carbon	NBR	45	63	4	14	12419915
Siliciumcarbide	EPDM	45	63	4	14	12419902
Siliciumcarbide	FPM	45	63	4	14	12419933
Siliciumcarbide	NBR	45	63	4	14	12419917
Tungstencarbide	EPDM	45	63	4	14	12419900
Tungstencarbide	FPM	45	63	4	14	12419929
Tungstencarbide	NBR	45	63	4	14	12419914
Carbon	EPDM	48	66	4	14	12420297
Carbon	FPM	48	66	4	14	12420326
Carbon	NBR	48	66	4	14	12420312
Siliciumcarbide	EPDM	48	66	4	14	12420298
Siliciumcarbide	FPM	48	66	4	14	11271333
Siliciumcarbide	NBR	48	66	4	14	12420313
Tungstencarbide	EPDM	48	66	4	14	12420296
Tungstencarbide	FPM	48	66	4	14	12420325
Tungstencarbide	NBR	48	66	4	14	12420310
Carbon	EPDM	50	70	4	15	12420636
Carbon	FPM	50	70	4	15	12420667
Carbon	NBR	50	70	4	15	12420651
Siliciumcarbide	EPDM	50	70	4	15	12401028
Siliciumcarbide	FPM	50	70	4	15	12401029
Siliciumcarbide	NBR	50	70	4	15	12420653
Tungstencarbide	EPDM	50	70	4	15	12420635
Tungstencarbide	FPM	50	70	4	15	12420665
Tungstencarbide	NBR	50	70	4	15	12420648
Carbon	EPDM	53	73	4	15	12421026
Carbon	FPM	53	73	4	15	12421044
Carbon	NBR	53	73	4	15	12421031
Siliciumcarbide	EPDM	53	73	4	15	12421027
Siliciumcarbide	FPM	53	73	4	15	12421045
Siliciumcarbide	NBR	53	73	4	15	12421033
Tungstencarbide	EPDM	53	73	4	15	12421025
Tungstencarbide	FPM	53	73	4	15	12421042
Tungstencarbide	NBR	53	73	4	15	12421029
Carbon	EPDM	55	75	4	15	12421414
Siliciumcarbide	EPDM	55	75	4	15	12421416
Siliciumcarbide	FPM	55	75	4	15	12394078
Tungstencarbide	EPDM	55	75	4	15	12421413

Max. 200 articles in the table

Disclaimer: The content of this document has been composed with the utmost care. However, it is possible that certain information changes over time, becomes inaccurate or incomplete. ERIKS does not guarantee that the information provided on this document is up to date, accurate and complete; the information provided is not intended to be advice. ERIKS shall never be liable for damage resulting from the use of the information provided.