

ERIKS V-ring type S

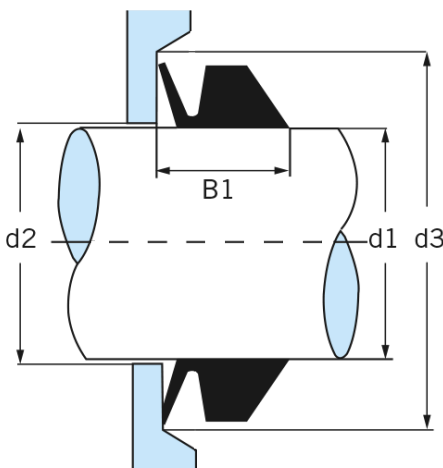
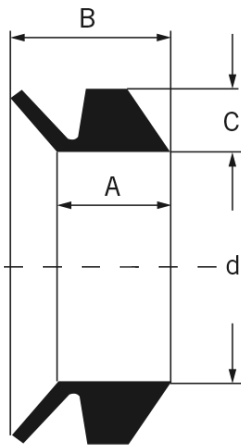


The ERIKS V-ring type S with a slanted rear face is used as an axial shaft seal for pressureless applications. The seal is a tight fit around the shaft in your application. The flexible sealing lip seals against a machined surface perpendicular to the shaft. You use this product to keep dirt, dust and splashing water out of your system. Compared to a seal with an upright rear face, the slanted rear face results in a slightly tighter fit on the shaft. This V-ring seal is available in CR, EPDM, FKM and NBR. Note that NBR is not resistant to UV radiation and ozone. So if you want to use this V-ring seal in an outdoor application, you are advised to choose a different material. Are you looking for a smaller product? Choose the ERIKS V-ring type A or L. If you need the opposite, i.e. an extremely large seal, the type E is a good option.



Characteristics

Type: S



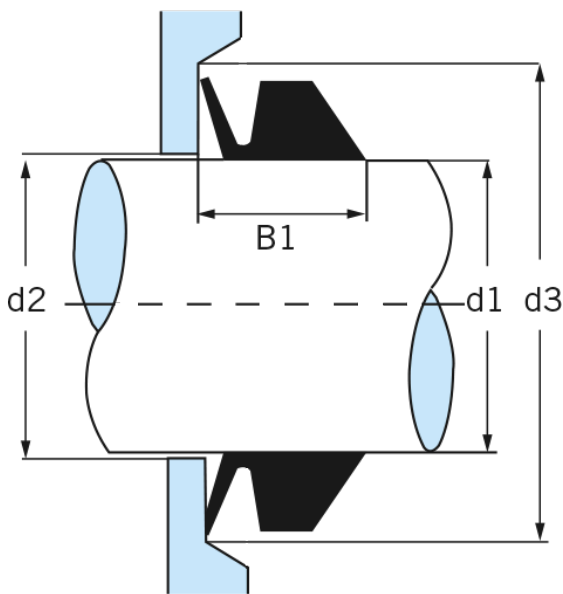
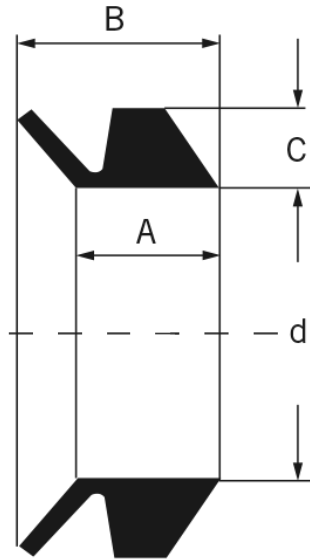
Size table:

Designation	d	d1	C	A	B	d2 (max)	B1	d3 (min)
	mm	mm	mm	mm	mm	mm	mm	mm
V-5S	4	4.5 - 5.5	2	3.9	5.2	d1+1	4.5 ± 0.4	d1+6
V-6S	5	5.5 - 6.5	2	3.9	5.2	d1+1	4.5 ± 0.4	d1+6
V-7S	6	6.5 - 8.0	2	3.9	5.2	d1+1	4.5 ± 0.4	d1+6
V-8S	7	8.0 - 9.5	2	3.9	5.2	d1+1	4.5 ± 0.4	d1+6
V-10S	9	9.5 - 11.5	3	5.6	7.7	d1+2	6.7 ± 0.6	d1+9
V-12S	10.5	11.5 - 13.5	3	5.6	7.7	d1+2	6.7 ± 0.6	d1+9
V-14S	12.5	13.5 - 15.5	3	5.6	7.7	d1+2	6.7 ± 0.6	d1+9
V-16S	14	15.5 - 17.5	3	5.6	7.7	d1+2	6.7 ± 0.6	d1+9
V-18S	16	17.5 - 19.0	3	5.6	7.7	d1+2	6.7 ± 0.6	d1+9
V-20S	18	19 - 21	4	7.9	10.5	d1+2	9.0 ± 0.8	d1+12
V-22S	20	21 - 24	4	7.9	10.5	d1+2	9.0 ± 0.8	d1+12
V-25S	22	24 - 27	4	7.9	10.5	d1+2	9.0 ± 0.8	d1+12
V-28S	25	27 - 29	4	7.9	10.5	d1+3	9.0 ± 0.8	d1+12
V-30S	27	29 - 31	4	7.9	10.5	d1+3	9.0 ± 0.8	d1+12

Disclaimer: The content of this document has been composed with the utmost care. However, it is possible that certain information changes over time, becomes inaccurate or incomplete. ERIKS does not guarantee that the information provided on this document is up to date, accurate and complete; the information provided is not intended to be advice. ERIKS shall never be liable for damage resulting from the use of the information provided.

Size table:

Designation	d	d1	C	A	B	d2 [max]	B1	d3 [min]
V-32S	29	31 - 33	4	7.9	10.5	d1+ 3	9.0 ± 0.8	d1+12
V-35S	31	33 - 36	4	7.9	10.5	d1+ 3	9.0 ± 0.8	d1+12
V-38S	34	36 - 38	4	7.9	10.5	d1+ 3	9.0 ± 0.8	d1+12
V-40S	36	38 - 43	5	9.5	13	d1+ 3	11.0 ± 1.0	d1+15
V-45S	40	43 - 48	5	9.5	13	d1+ 3	11.0 ± 1.0	d1+15
V-50S	45	48 - 53	5	9.5	13	d1+ 3	11.0 ± 1.0	d1+15
V-55S	49	53 - 58	5	9.5	13	d1+ 3	11.0 ± 1.0	d1+15
V-60S	54	58 - 63	5	9.5	13	d1+ 3	11.0 ± 1.0	d1+15
V-65S	58	63 - 68	5	9.5	13	d1+ 3	11.0 ± 1.0	d1+15
V-70S	63	68 - 73	6	11.3	15.5	d1+ 4	13.5 ± 1.2	d1+18
V-75S	67	73 - 78	6	11.3	15.5	d1+ 4	13.5 ± 1.2	d1+18
V-80S	72	78 - 83	6	11.3	15.5	d1+ 4	13.5 ± 1.2	d1+18
V-85S	76	83 - 88	6	11.3	15.5	d1+ 4	13.5 ± 1.2	d1+18
V-90S	81	88 - 93	6	11.3	15.5	d1+ 4	13.5 ± 1.2	d1+18
V-95S	85	93 - 98	6	11.3	15.5	d1+ 4	13.5 ± 1.2	d1+18
V-100S	90	98 - 105	6	11.3	15.5	d1+ 4	13.5 ± 1.2	d1+18
V-110S	99	105 - 115	7	13.1	18	d1+ 4	15.5 ± 1.5	d1+21
V-120S	108	115 - 125	7	13.1	18	d1+ 4	15.5 ± 1.5	d1+21
V-130S	117	125 - 135	7	13.1	18	d1+ 4	15.5 ± 1.5	d1+21
V-140S	126	135 - 145	7	13.1	18	d1+ 4	15.5 ± 1.5	d1+21
V-150S	135	145 - 155	7	13.1	18	d1+ 4	15.5 ± 1.5	d1+21
V-160S	144	155 - 165	8	15	20.5	d1+ 5	18.0 ± 1.8	d1+24
V-170S	153	165 - 175	8	15	20.5	d1+ 5	18.0 ± 1.8	d1+24
V-180S	162	175 - 185	8	15	20.5	d1+ 5	18.0 ± 1.8	d1+24
V-190S	171	185 - 95	8	15	20.5	d1+ 5	18.0 ± 1.8	d1+24
V-199S	180	195 - 210	8	15	20.5	d1+ 5	18.0 ± 1.8	d1+24



Disclaimer: The content of this document has been composed with the utmost care. However, it is possible that certain information changes over time, becomes inaccurate or incomplete. ERIKS does not guarantee that the information provided on this document is up to date, accurate and complete; the information provided is not intended to be advice. ERIKS shall never be liable for damage resulting from the use of the information provided.

Designation	Material	Compound	Temperature °C	Article
V-5S	FKM		-25 / 200	10014032
V-5S	NBR	366401	-35 / 100	10014133
V-6S	FKM		-25 / 200	10014033
V-6S	NBR	366401	-35 / 100	10014134
V-7S	FKM		-25 / 200	10014034
V-7S	NBR	366401	-35 / 100	10014135
V-8S	FKM		-25 / 200	10014035
V-8S	NBR	366401	-35 / 100	10014136
V-10S	FKM		-25 / 200	10014036
V-10S	NBR	366401	-35 / 100	10014137
V-12S	EPDM		-40 / 140	11080456
V-12S	FKM		-25 / 200	10014037
V-12S	NBR	366401	-35 / 100	10014138
V-14S	FKM		-25 / 200	10014038
V-14S	NBR	366401	-35 / 100	10014139
V-16S	FKM		-25 / 200	10014039
V-16S	NBR	366401	-35 / 100	10014141
V-18S	EPDM		-40 / 140	12772011
V-18S	FKM		-25 / 200	10014040
V-18S	NBR	366401	-35 / 100	10014143
V-20S	CR		-35 / 110	10014006
V-20S	FKM		-25 / 200	10014041
V-20S	NBR	366401	-35 / 100	10014144
V-22S	FKM		-25 / 200	10014042
V-22S	NBR	366401	-35 / 100	10014146
V-25S	EPDM		-40 / 140	12495900
V-25S	FKM		-25 / 200	10014043
V-25S	NBR	366401	-35 / 100	10014147
V-28S	EPDM		-40 / 140	11022482
V-28S	FKM		-25 / 200	10014044
V-28S	NBR	366401	-35 / 100	10014149
V-30S	EPDM		-40 / 140	11223321
V-30S	FKM		-25 / 200	10014045
V-30S	NBR	366401	-35 / 100	10014150
V-32S	FKM		-25 / 200	10014046
V-32S	NBR	366401	-35 / 100	10014152
V-35S	EPDM		-40 / 140	11021272
V-35S	FKM		-25 / 200	10014047
V-35S	NBR	366401	-35 / 100	10014153
V-38S	FKM		-25 / 200	10014048
V-38S	NBR	366401	-35 / 100	10014154
V-40S	EPDM		-40 / 140	13510955
V-40S	FKM		-25 / 200	10014049
V-40S	NBR	366401	-35 / 100	10014155
V-45S	EPDM		-40 / 140	12403240
V-45S	EPDM		-40 / 140	11110948
V-45S	FKM		-25 / 200	10014050
V-45S	NBR	366401	-35 / 100	10014157
V-50S	EPDM		-40 / 140	11321805
V-50S	FKM		-25 / 200	10014051
V-50S	NBR	366401	-35 / 100	10014158
V-55S	EPDM		-40 / 140	13510956
V-55S	FKM		-25 / 200	10014052

Disclaimer: The content of this document has been composed with the utmost care. However, it is possible that certain information changes over time, becomes inaccurate or incomplete. ERIKS does not guarantee that the information provided on this document is up to date, accurate and complete; the information provided is not intended to be advice. ERIKS shall never be liable for damage resulting from the use of the information provided.

Designation	Material	Compound	Temperature °C	Article
V-55S	NBR	366401	-35 / 100	10014160
V-60S	FKM		-25 / 200	10014053
V-60S	NBR	366401	-35 / 100	10014161
V-65S	FKM		-25 / 200	10014054
V-65S	NBR	366401	-35 / 100	10014163
V-70S	FKM		-25 / 200	10014055
V-70S	NBR	366401	-35 / 100	10014165
V-75S	FKM		-25 / 200	10014056
V-75S	NBR	366401	-35 / 100	10014166
V-80S	FKM		-25 / 200	10014057
V-80S	NBR	366401	-35 / 100	10014168
V-85S	FKM		-25 / 200	10014058
V-85S	NBR	366401	-35 / 100	10014169
V-90S	FKM		-25 / 200	10014059
V-90S	NBR	366401	-35 / 100	10014170
V-95S	FKM		-25 / 200	11024993
V-95S	NBR	366401	-35 / 100	10014171
V-100S	EPDM		-40 / 140	11053861
V-100S	FKM		-25 / 200	10014060
V-100S	NBR	366401	-35 / 100	10014172
V-110S	FKM		-25 / 200	10014061
V-110S	NBR	366401	-35 / 100	10014174
V-120S	EPDM		-40 / 140	12648891
V-120S	FKM		-25 / 200	10014062
V-120S	NBR	366401	-35 / 100	10014175
V-130S	FKM		-25 / 200	10014063
V-130S	NBR	366401	-35 / 100	10014176
V-140S	FKM		-25 / 200	10014064
V-140S	NBR	366401	-35 / 100	10014178
V-150S	FKM		-25 / 200	10014065
V-150S	NBR	366401	-35 / 100	10014179
V-160S	FKM		-25 / 200	10014066
V-160S	NBR	366401	-35 / 100	10014181
V-170S	FKM		-25 / 200	10014067
V-170S	NBR	366401	-35 / 100	10014182
V-180S	FKM		-25 / 200	10014068
V-180S	NBR	366401	-35 / 100	10014183
V-190S	FKM		-25 / 200	10014069
V-190S	NBR	366401	-35 / 100	10014184
V-199S	FKM		-25 / 200	10014070
V-199S	NBR	366401	-35 / 100	10014185

Disclaimer: The content of this document has been composed with the utmost care. However, it is possible that certain information changes over time, becomes inaccurate or incomplete. ERIKS does not guarantee that the information provided on this document is up to date, accurate and complete; the information provided is not intended to be advice. ERIKS shall never be liable for damage resulting from the use of the information provided.