

AIRPEL Duplex filter Type: 1632 Cast iron EN-JL1030 Switching plug material: Bronze Flange



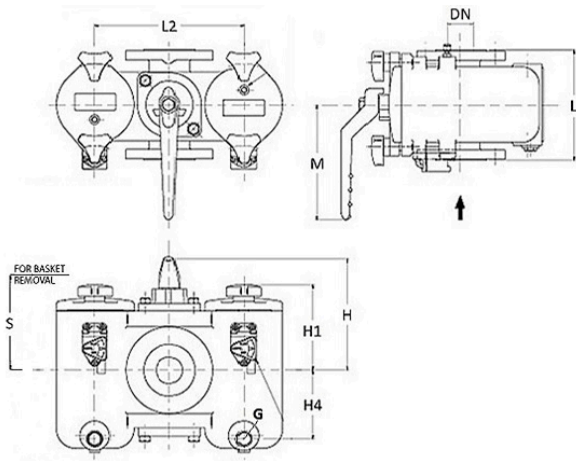
Characteristics

- Type:** 1632
- Norm:** EN (DIN)
- Housing material:** Cast iron
- Surface protection:** Standard manufacturers coating
- Connection:** Flange
- With filter element:** No
- Venting screw:** Yes
- Drain connection:** Yes
- Material cover gasket:** FPM (FKM)

- Fluid drain plug:** Brass
- Switching plug material:** Bronze
- Material vent screw:** Brass
- Maximum pressure difference:** 1 bar

Application

- Recommended in: Chemical



Size table:

DN	H	H1	H4	L	L2	M	S	G	Weight
	mm	mm	mm	mm	mm	mm	mm		kg
DN25	149	103	86	152	170	205	220	1/2"	16
DN32	175	132	122	175	184	205	306	1/2"	23
DN40	175	132	122	175	184	205	306	1/2"	23
DN50	212	165	131	210	280	219	351	1/2"	52
DN65	212	165	131	230	280	219	351	1/2"	53
DN80	256	198	186	267	330	250	451	1/2"	85
DN100	294	233	241	318	380	250	575	1/2"	125
DN150	398		359	380	530	380	868	1/2"	250

Material quality	Nominal inner diameter	Pressure rating	Face to Face length	Article
			mm	
EN-JL1030	DN25	PN16	152	10058871
EN-JL1030	DN32	PN16	175	10058872
EN-JL1030	DN40	PN16	175	10058873
EN-JL1030	DN50	PN16	210	10058874
EN-JL1030	DN65	PN16	230	10058875
EN-JL1030	DN80	PN16	267	10058876
EN-JL1030	DN100	PN16	318	10058877
EN-JL1030	DN150	PN16	380	10058878

Disclaimer: The content of this document has been composed with the utmost care. However, it is possible that certain information changes over time, becomes inaccurate or incomplete. ERIKS does not guarantee that the information provided on this document is up to date, accurate and complete; the information provided is not intended to be advice. ERIKS shall never be liable for damage resulting from the use of the information provided.