



## AIRPEL Duplex filter Type: 1631 Cast iron EN-JL1030 Switching plug material: Bronze Internal thread (BSPP)

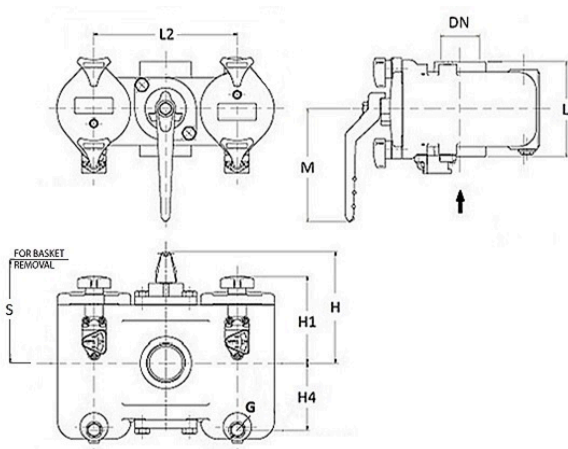
### Characteristics

**Type:** 1631  
**Norm:** EN (DIN)  
**Housing material:** Cast iron  
**Surface protection:** Standard manufacturers coating  
**Connection:** Internal thread (BSPP)  
**With filter element:** No  
**Venting screw:** Yes  
**Drain connection:** Yes

**Material cover gasket:** FPM (FKM)  
**Fluid drain plug:** Brass  
**Switching plug material:** Bronze  
**Material vent screw:** Brass  
**Maximum pressure difference:** 1 bar

### Application

- Recommended in: Chemical



### Size table:

DN	H	H1	H4	L	L2	M	S	G	Weight
	mm	mm	mm	mm	mm	mm	mm		kg
3/4" [20]	149	103	86	120	170	205	220	1/2"	13
1" [25]	149	103	86	120	170	205	220	1/2"	13
1.1/4" [32]	175	132	122	137	184	205	306	1/2"	19
1.1/2" [40]	175	132	122	137	184	205	306	1/2"	19
2" [50]	216	165	131	184	280	219	351	1/2"	49
2.1/2" [65]	216	165	131	184	280	219	351	1/2"	49

Material quality	Nominal inner diameter	Pressure rating	Face to Face length mm	Article
EN-JL1030	3/4" [20]	PN16	120	10058856
EN-JL1030	1" [25]	PN16	120	10058854
EN-JL1030	1.1/4" [32]	PN16	137	10058858
EN-JL1030	1.1/2" [40]	PN16	137	10058857
EN-JL1030	2" [50]	PN16	184	10058855
EN-JL1030	2.1/2" [65]	PN16	184	10058859

Disclaimer: The content of this document has been composed with the utmost care. However, it is possible that certain information changes over time, becomes inaccurate or incomplete. ERIKS does not guarantee that the information provided on this document is up to date, accurate and complete; the information provided is not intended to be advice. ERIKS shall never be liable for damage resulting from the use of the information provided.