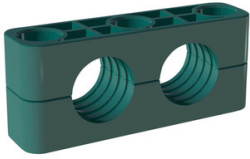


STAUFF Clamp body PP polypropylene profiled Heavy Twin series



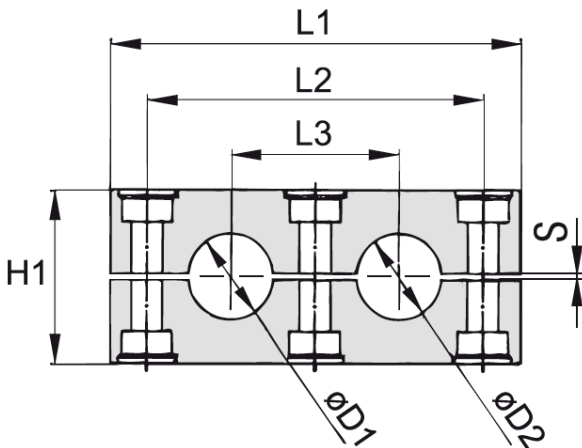
Characteristics

Series: Heavy Twin

Colour: Green

Profile: Profiled

Tension clearance: Yes



Size table:

| Group | H1 mm | L1 mm | L2 mm | L3 mm | Width mm | S mm |
|-------|----------|----------|----------|----------|-------------|---------|
| 4S-D | 48 | 115 | 90 | 45 | 30 | 1.2 |
| 5S-D | 60 | 145 | 120 | 60 | 30 | 2 |

| Suitable for pipe diameter mm | Suitable for pipe diameter 2 mm | Group | Material | Article |
|----------------------------------|------------------------------------|-------|---------------|----------|
| 12.7 | 12.7 | 4S-D | Polypropylene | 11357792 |
| 19 | 19 | 4S-D | Polypropylene | 11357797 |
| 20 | 20 | 4S-D | Polypropylene | 11357802 |
| 22 | 22 | 4S-D | Polypropylene | 11357813 |
| 25 | 20 | 4S-D | Polypropylene | 11358815 |
| 25 | 25 | 4S-D | Polypropylene | 11358385 |
| 25.4 | 25.4 | 4S-D | Polypropylene | 11357822 |
| 30 | 30 | 4S-D | Polypropylene | 11358722 |
| 32 | 32 | 5S-D | Polypropylene | 11357888 |
| 38 | 38 | 5S-D | Polypropylene | 11357901 |
| 42 | 42 | 5S-D | Polypropylene | 11357911 |

Disclaimer: The content of this document has been composed with the utmost care. However, it is possible that certain information changes over time, becomes inaccurate or incomplete. ERIKS does not guarantee that the information provided on this document is up to date, accurate and complete; the information provided is not intended to be advice. ERIKS shall never be liable for damage resulting from the use of the information provided.