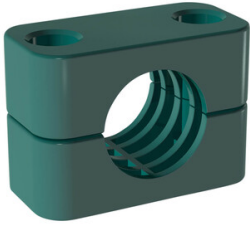


STAUFF Clamp body PP polypropylene profiled Standard series

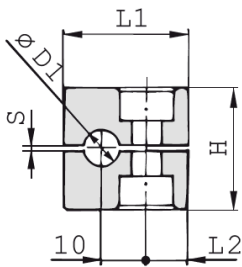


Characteristics

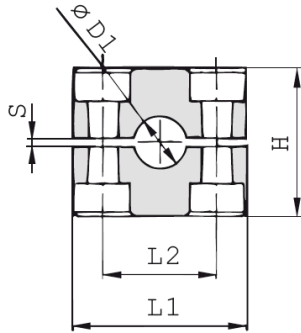
- Series:** Standard
- Colour:** Green
- Profile:** Profiled
- Tension clearance:** Yes
- DIN Standard:** DIN 3015-1

Size table:

Group	H mm	L1 mm	L2 mm	Width mm	S mm
1	27	28	9.5	30	0.4
1A	27	37	20	30	0.4
2	33	42	26	30	0.6
3	36	50	33	30	0.6
4	42	59	40	30	0.6
5	58	71	52	30	0.8
6	66	86	66	30	0.8
7	93	121	94	30	0.8
8	118	147	120	30	0.8



STAUFF Group 1



STAUFF Group 1A to 8

Suitable for pipe diameter mm	Group	Material	Article
3.2	1	Polypropylene	11357554
5	1	Polypropylene	11358505
6	1A	Polypropylene	849421
6	1	Polypropylene	849375
6.4	1A	Polypropylene	930555
6.4	1	Polypropylene	938025
7.5	1A	Polypropylene	11358845
8	1A	Polypropylene	849448
8	1	Polypropylene	849383
9.5	1A	Polypropylene	930563
9.5	1	Polypropylene	947911
10	1A	Polypropylene	849456
10	1	Polypropylene	849391
10.2	1A	Polypropylene	849472
11.5	1A	Polypropylene	11357576
12	1A	Polypropylene	849464
12	1	Polypropylene	849405
12	2	Polypropylene	11357612
12	3	Polypropylene	11358108
12.7	1	Polypropylene	11357578
12.7	2	Polypropylene	928844
12.7	3	Polypropylene	11357728

Disclaimer: The content of this document has been composed with the utmost care. However, it is possible that certain information changes over time, becomes inaccurate or incomplete. ERIKS does not guarantee that the information provided on this document is up to date, accurate and complete; the information provided is not intended to be advice. ERIKS shall never be liable for damage resulting from the use of the information provided.

Suitable for pipe diameter mm	Group	Material	Article
13.5	2	Polypropylene	782440
14	2	Polypropylene	849480
14	3	Polypropylene	11357731
15	2	Polypropylene	849499
16	2	Polypropylene	849502
16	3	Polypropylene	11357735
16	4	Polypropylene	11358763
16.7	2	Polypropylene	11358479
17.2	2	Polypropylene	849537
18	2	Polypropylene	849510
18	3	Polypropylene	11357738
18	4	Polypropylene	11358671
18.6	2	Polypropylene	11358159
19	2	Polypropylene	11357685
19	3	Polypropylene	935891
19	4	Polypropylene	11358554
20	3	Polypropylene	849545
20	4	Polypropylene	11358389
21.3	3	Polypropylene	849588
22	3	Polypropylene	849553
22	4	Polypropylene	11357835
23	3	Polypropylene	950025
24	4	Polypropylene	11357837
25	3	Polypropylene	849561
25	4	Polypropylene	11358532
25	5	Polypropylene	11358118
25.4	3	Polypropylene	941271
26	3	Polypropylene	11358885
26.7	5	Polypropylene	11358643
26.9	4	Polypropylene	849626
27	4	Polypropylene	11358164
28	4	Polypropylene	849596
28	5	Polypropylene	11358119
28	6	Polypropylene	11358131
29	4	Polypropylene	11357867
30	4	Polypropylene	849618
30	5	Polypropylene	11358120
31.5	4	Polypropylene	11358593
32	4	Polypropylene	11358576
32	5	Polypropylene	849634
33	5	Polypropylene	11358503
33.7	5	Polypropylene	849685
33.7	6	Polypropylene	11358548
34	5	Polypropylene	11358121
35	5	Polypropylene	849642
36	5	Polypropylene	11358806
38	5	Polypropylene	849650
39	5	Polypropylene	11358903
40	5	Polypropylene	849669
42	5	Polypropylene	849677
42	6	Polypropylene	11358650
42.4	6	Polypropylene	11358133
43	5	Polypropylene	11358129

Disclaimer: The content of this document has been composed with the utmost care. However, it is possible that certain information changes over time, becomes inaccurate or incomplete. ERIKS does not guarantee that the information provided on this document is up to date, accurate and complete; the information provided is not intended to be advice. ERIKS shall never be liable for damage resulting from the use of the information provided.

Suitable for pipe diameter mm	Group	Material	Article
43	6	Polypropylene	11358676
44.5	6	Polypropylene	935743
45	6	Polypropylene	11358134
48.3	6	Polypropylene	849707
50	6	Polypropylene	11356919
50.8	6	Polypropylene	932159
53	6	Polypropylene	11358141
54	6	Polypropylene	1016345
56	6	Polypropylene	11358696
57.2	7	Polypropylene	978310
60.3	7	Polypropylene	1032802
63.5	7	Polypropylene	1065133
67	7	Polypropylene	1016357
68	7	Polypropylene	11358753
70	7	Polypropylene	11358059
73	7	Polypropylene	1065164
74	7	Polypropylene	11358902
75	7	Polypropylene	11358603
76.1	7	Polypropylene	11358063
78	7	Polypropylene	11358859
79	7	Polypropylene	11358679
80	8	Polypropylene	11358457
84	8	Polypropylene	11358649
88.9	8	Polypropylene	11358084
90	8	Polypropylene	11358717
91	8	Polypropylene	11358832
102	8	Polypropylene	11358074

Disclaimer: The content of this document has been composed with the utmost care. However, it is possible that certain information changes over time, becomes inaccurate or incomplete. ERIKS does not guarantee that the information provided on this document is up to date, accurate and complete; the information provided is not intended to be advice. ERIKS shall never be liable for damage resulting from the use of the information provided.