

STAUFF Clamp body PA polyamide profiled Heavy series



Characteristics

Series: Heavy

Colour: Black

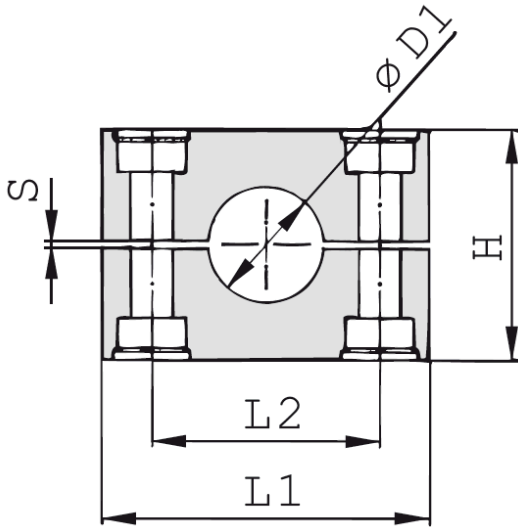
Profile: Profiled

Tension clearance: Yes

DIN Standard: DIN 3015-2

Size table:

Group	H mm	L1 mm	L2 mm	Width mm	S mm
3S	32	55	33	30.5	0.6
4S	48	70	45	30.5	0.6
5S	60	85	60	30.5	0.6
6S	89	115	90	45	2
7S	120	154	122	60	2
8S	168	206	168	80	2
9S	200	251	205	91	3
10S	270	336	265	120	3
11S	410	470	395	162	8
12S	530	630	534	182	20



Suitable for pipe diameter mm	Group	Material	Article
6	3S	Polyamide	11357689
6.4	3S	Polyamide	11357691
8	3S	Polyamide	11357694
9.5	3S	Polyamide	11357696
10	3S	Polyamide	11357699
12	3S	Polyamide	11357701
12.7	3S	Polyamide	11357704
14	3S	Polyamide	11357711
15	3S	Polyamide	11357714
16	3S	Polyamide	11357717
18	3S	Polyamide	11357724
19	4S	Polyamide	11357795
20	4S	Polyamide	11357798
21.3	4S	Polyamide	11357804
22	4S	Polyamide	11357809
22	5S	Polyamide	11358892
23	4S	Polyamide	11358218
25	4S	Polyamide	11357815
25	5S	Polyamide	11358335
25.4	4S	Polyamide	11357819
26	4S	Polyamide	11358223

Disclaimer: The content of this document has been composed with the utmost care. However, it is possible that certain information changes over time, becomes inaccurate or incomplete. ERIKS does not guarantee that the information provided on this document is up to date, accurate and complete; the information provided is not intended to be advice. ERIKS shall never be liable for damage resulting from the use of the information provided.

Suitable for pipe diameter mm	Group	Material	Article
26.9	4S	Polyamide	1065216
26.9	5S	Polyamide	11358489
28	4S	Polyamide	887943
30	4S	Polyamide	11357830
30	5S	Polyamide	11357882
32	5S	Polyamide	11357884
33.7	5S	Polyamide	951994
35	5S	Polyamide	11357893
38	5S	Polyamide	11357897
38	6S	Polyamide	11356867
40	5S	Polyamide	11357902
40	6S	Polyamide	11356868
42	5S	Polyamide	11357907
42	6S	Polyamide	1065215
42.4	6S	Polyamide	11358804
44.5	6S	Polyamide	11356870
45	6S	Polyamide	11357985
48.3	6S	Polyamide	957968
49.5	6S	Polyamide	11358252
50	6S	Polyamide	11356871
50.8	6S	Polyamide	11356872
52	6S	Polyamide	11358875
54	6S	Polyamide	11356873
55	6S	Polyamide	11356874
56	6S	Polyamide	11358260
57	6S	Polyamide	11356875
58	6S	Polyamide	11356876
60.3	6S	Polyamide	1010439
63	6S	Polyamide	11358266
63.5	6S	Polyamide	11356878
65	6S	Polyamide	11356879
65	7S	Polyamide	11358024
67	6S	Polyamide	11358344
70	6S	Polyamide	11356880
70	7S	Polyamide	11358026
72	7S	Polyamide	11358280
73	7S	Polyamide	11358031
75	7S	Polyamide	11358282
76.1	7S	Polyamide	11358033
80	7S	Polyamide	11358036
82.5	7S	Polyamide	11358038
85	7S	Polyamide	11358040
88.9	7S	Polyamide	11358045
88.9	8S	Polyamide	11358067
90	7S	Polyamide	11358287
95	8S	Polyamide	11358292
100	8S	Polyamide	11358070
102	8S	Polyamide	11358073
104	8S	Polyamide	11358297
105	8S	Polyamide	11358336
108	8S	Polyamide	11358076
114	8S	Polyamide	11358078
114.3	8S	Polyamide	11358856

Disclaimer: The content of this document has been composed with the utmost care. However, it is possible that certain information changes over time, becomes inaccurate or incomplete. ERIKS does not guarantee that the information provided on this document is up to date, accurate and complete; the information provided is not intended to be advice. ERIKS shall never be liable for damage resulting from the use of the information provided.

Suitable for pipe diameter mm	Group	Material	Article
120	8S	Polyamide	11358308
127	8S	Polyamide	11358310
127	9S	Polyamide	11358091
133	8S	Polyamide	11358314
133	9S	Polyamide	11358094
139.7	9S	Polyamide	11358855
140	9S	Polyamide	11358097
152	9S	Polyamide	11358562
154	9S	Polyamide	11358410
159	9S	Polyamide	11358325
165	9S	Polyamide	11358103
168	9S	Polyamide	11358106
168	10S	Polyamide	11357545
177.8	10S	Polyamide	11358900
180	10S	Polyamide	11358174
193.7	10S	Polyamide	11358179
194	10S	Polyamide	11358337
216	10S	Polyamide	11357548
219	10S	Polyamide	11357551
219	11S	Polyamide	11357588
273	11S	Polyamide	11357592
324	11S	Polyamide	11357597
340	12S	Polyamide	11357599
356	12S	Polyamide	11357601

Disclaimer: The content of this document has been composed with the utmost care. However, it is possible that certain information changes over time, becomes inaccurate or incomplete. ERIKS does not guarantee that the information provided on this document is up to date, accurate and complete; the information provided is not intended to be advice. ERIKS shall never be liable for damage resulting from the use of the information provided.