

STAUFF Clamp body LNUF polyamide profiled Light series



Characteristics

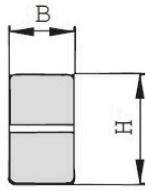
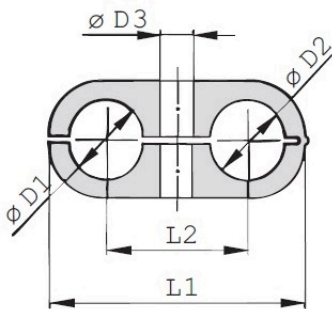
Series: Light

Type: LNUF

Colour: Black

Profile: Profiled

Tension clearance: Yes



Size table:

Group	B mm	H mm	L1 mm	L2 mm	ØD3 mm
2	14.5	18.5	41	22	6.8
3	14.5	23.5	54	30	6.8
4	14.5	30.5	70	38	6.8

Suitable for pipe diameter mm	Suitable for pipe diameter 2 mm	Group	Material	Article
10	6	2	Polyamide	11356704
12	10	2	Polyamide	11356692
15	10	3	Polyamide	11356697
16	12.7	4	Polyamide	11356678
18	10	4	Polyamide	11356695
18	15	4	Polyamide	11356621
19	6.4	4	Polyamide	11356623
20	15	4	Polyamide	11356625
22	15	4	Polyamide	11356628
22	18	4	Polyamide	11356629
22	19	4	Polyamide	11356702

Disclaimer: The content of this document has been composed with the utmost care. However, it is possible that certain information changes over time, becomes inaccurate or incomplete. ERIKS does not guarantee that the information provided on this document is up to date, accurate and complete; the information provided is not intended to be advice. ERIKS shall never be liable for damage resulting from the use of the information provided.