

STAUFF Clamp body LNGF polyamide profiled Light series



Characteristics

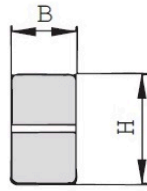
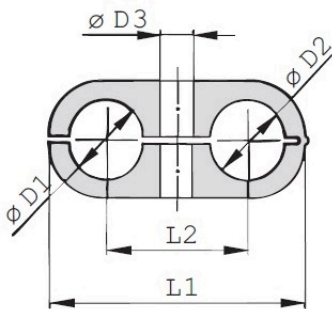
Series: Light

Type: LNGF

Colour: Black

Profile: Profiled

Tension clearance: Yes



Size table:

Group	B mm	H mm	L1 mm	L2 mm	ØD3 mm
1	14.5	13.5	32	18	6.8
2	14.5	18.5	41	22	6.8
3	14.5	23.5	54	30	6.8
4	14.5	30.5	70	38	6.8

Suitable for pipe diameter mm	Suitable for pipe diameter 2 mm	Group	Material	Article
6	6	1	Polyamide	824275
6.4	6.4	1	Polyamide	11356600
8	8	1	Polyamide	824283
8	8	2	Polyamide	1011117
9.5	9.5	2	Polyamide	11356602
10	10	2	Polyamide	947806
10	10	3	Polyamide	11356605
12	12	3	Polyamide	11356608
12.7	12.7	2	Polyamide	12034236
12.7	12.7	3	Polyamide	11356609
13.5	13.5	3	Polyamide	11356611
14	14	3	Polyamide	11356612
14	14	4	Polyamide	11356616
15	15	3	Polyamide	11356613
16	16	3	Polyamide	11356614
16	16	4	Polyamide	11356618
18	18	4	Polyamide	11356620
19	19	4	Polyamide	11356622
20	20	4	Polyamide	11356624
21.3	21.3	4	Polyamide	11356626
22	22	4	Polyamide	11346955

Disclaimer: The content of this document has been composed with the utmost care. However, it is possible that certain information changes over time, becomes inaccurate or incomplete. ERIKS does not guarantee that the information provided on this document is up to date, accurate and complete; the information provided is not intended to be advice. ERIKS shall never be liable for damage resulting from the use of the information provided.