

## STAUFF Clamp body LBU polypropylene profiled Light series



### Characteristics

**Series:** Light

**Type:** LBU

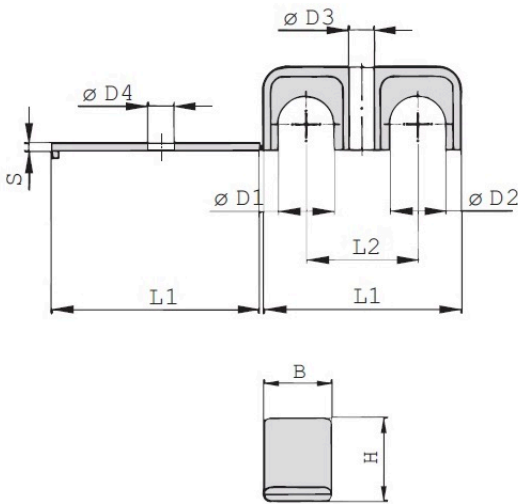
**Colour:** Black

**Profile:** Profiled

**Tension clearance:** No

### Size table:

Group	B mm	H mm	L1 mm	L2 mm	ØD3 mm	ØD4 mm	S mm
1	12	10.5	31	18	6.8	7	2
2	16	15	39	22	6.8	7	2
3	20	22.5	53	30	6.8	7	2
4	20	30	70	38	6.8	7	2



Suitable for pipe diameter mm	Suitable for pipe diameter 2 mm	Group	Material	Article
8	6	1	Polypropylene	11357485
10	8	2	Polypropylene	11357487
12	10	2	Polypropylene	11357491
12.7	9.5	3	Polypropylene	11357494
15	8	3	Polypropylene	11357498
16	12.7	3	Polypropylene	1063427
18	15	3	Polypropylene	11357502
25	21.3	4	Polypropylene	11357512

Disclaimer: The content of this document has been composed with the utmost care. However, it is possible that certain information changes over time, becomes inaccurate or incomplete. ERIKS does not guarantee that the information provided on this document is up to date, accurate and complete; the information provided is not intended to be advice. ERIKS shall never be liable for damage resulting from the use of the information provided.