

## STAUFF Clamp body LBG polypropylene profiled Light series



### Characteristics

**Series:** Light

**Type:** LBG

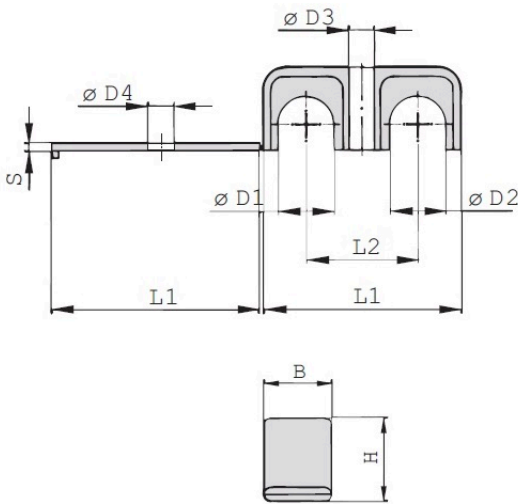
**Colour:** Black

**Profile:** Profiled

**Tension clearance:** No

### Size table:

Group	B mm	H mm	L1 mm	L2 mm	ØD3 mm	ØD4 mm	S mm
1	12	10.5	31	18	6.8	7	2
2	16	15	39	22	6.8	7	2
3	20	22.5	53	30	6.8	7	2
4	20	30	70	38	6.8	7	2



Suitable for pipe diameter mm	Suitable for pipe diameter 2 mm	Group	Material	Article
3.2	3.2	1	Polypropylene	11357478
4	4	1	Polypropylene	11357479
4.8	4.8	1	Polypropylene	11357480
5	5	1	Polypropylene	756822
6	6	1	Polypropylene	850675
6.4	6.4	1	Polypropylene	11357482
8	8	1	Polypropylene	850683
9.5	9.5	2	Polypropylene	11357486
10	10	2	Polypropylene	850691
11.1	11.1	2	Polypropylene	11357488
12	12	2	Polypropylene	850705
12.7	12.7	3	Polypropylene	11357493
13.5	13.5	3	Polypropylene	11357495
14	14	3	Polypropylene	11357496
15	15	3	Polypropylene	850721
16	16	3	Polypropylene	838020
17.2	17.2	3	Polypropylene	11357499
18	18	3	Polypropylene	850756
19	19	4	Polypropylene	11357503
20	20	4	Polypropylene	826804
21.3	21.3	4	Polypropylene	11357506
22	22	4	Polypropylene	850772
25	25	4	Polypropylene	851515

Disclaimer: The content of this document has been composed with the utmost care. However, it is possible that certain information changes over time, becomes inaccurate or incomplete. ERIKS does not guarantee that the information provided on this document is up to date, accurate and complete; the information provided is not intended to be advice. ERIKS shall never be liable for damage resulting from the use of the information provided.

Suitable for pipe diameter	Suitable for pipe diameter 2	Group	Material	Article
mm	mm			
25.4	25.4	4	Polypropylene	11357513

Disclaimer: The content of this document has been composed with the utmost care. However, it is possible that certain information changes over time, becomes inaccurate or incomplete. ERIKS does not guarantee that the information provided on this document is up to date, accurate and complete; the information provided is not intended to be advice. ERIKS shall never be liable for damage resulting from the use of the information provided.