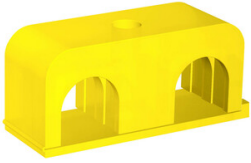


STAUFF Clamp body LBG polyamide profiled Light series



Characteristics

Series: Light

Type: LBG

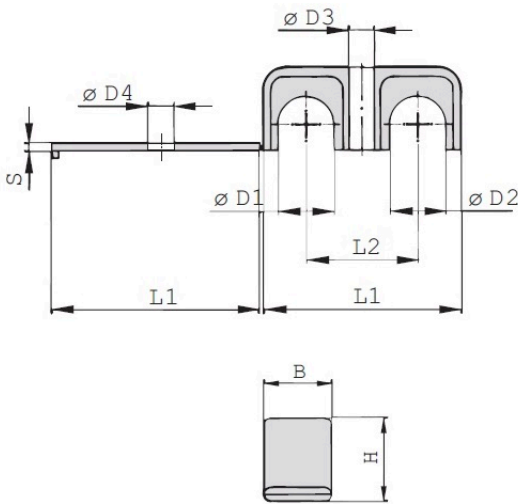
Colour: Yellow

Profile: Profiled

Tension clearance: No

Size table:

Group	B mm	H mm	L1 mm	L2 mm	ØD3 mm	ØD4 mm	S mm
1	12	10.5	31	18	6.8	7	2
2	16	15	39	22	6.8	7	2
3	20	22.5	53	30	6.8	7	2
4	20	30	70	38	6.8	7	2



Suitable for pipe diameter mm	Suitable for pipe diameter 2 mm	Group	Material	Article
3.2	3.2	1	Polyamide	11357515
4.8	4.8	1	Polyamide	11357516
5	5	1	Polyamide	11357517
6	6	1	Polyamide	11357518
6.4	6.4	1	Polyamide	11357519
8	8	1	Polyamide	11357520
9.5	9.5	2	Polyamide	11357522
10	10	2	Polyamide	11357523
12	12	2	Polyamide	11357525
12.7	12.7	3	Polyamide	11357526
14	14	3	Polyamide	11357528
15	15	3	Polyamide	11356813
17.2	17.2	3	Polyamide	12034231
18	18	3	Polyamide	11357531
19	19	4	Polyamide	11357534
20	20	4	Polyamide	1018794
25.4	25.4	4	Polyamide	11357541

Disclaimer: The content of this document has been composed with the utmost care. However, it is possible that certain information changes over time, becomes inaccurate or incomplete. ERIKS does not guarantee that the information provided on this document is up to date, accurate and complete; the information provided is not intended to be advice. ERIKS shall never be liable for damage resulting from the use of the information provided.