



STAUFF Clamp body ACT flame retardant polypropylene Twin series

Characteristics

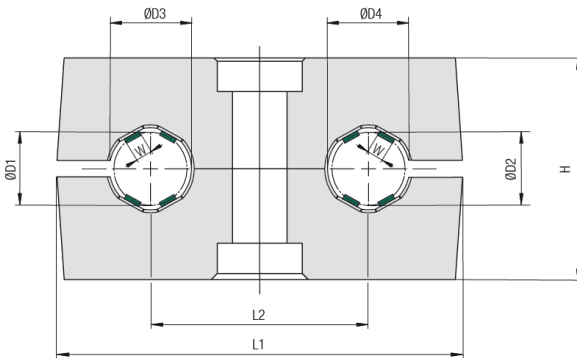
Series: Twin

Colour: Black

Profile: Elastomer strips

Tension clearance: No

DIN Standard: DIN 3015-3



Size table:

Group	H mm	L1 mm	L2 mm	Width mm
1D	26.6	36	20	30
2D	26.6	53	29	30
3D	36.6	67	36	30

Suitable for pipe diameter mm	Suitable for pipe diameter 2 mm	Group	Material	Article
6	6	1D	Polypropylene flame retardant	12314947
6.4	6.4	1D	Polypropylene flame retardant	12314948
9.5	9.5	1D	Polypropylene flame retardant	12314949
10	10	1D	Polypropylene flame retardant	12314950
12	12	1D	Polypropylene flame retardant	12314951
12.7	12.7	2D	Polypropylene flame retardant	12314952
14	14	2D	Polypropylene flame retardant	12314953
18	18	3D	Polypropylene flame retardant	12314954
19	19	3D	Polypropylene flame retardant	12314955
20	20	3D	Polypropylene flame retardant	12314956
21.3	21.3	3D	Polypropylene flame retardant	12314957
25.4	25.4	3D	Polypropylene flame retardant	12314958

Disclaimer: The content of this document has been composed with the utmost care. However, it is possible that certain information changes over time, becomes inaccurate or incomplete. ERIKS does not guarantee that the information provided on this document is up to date, accurate and complete; the information provided is not intended to be advice. ERIKS shall never be liable for damage resulting from the use of the information provided.