



ORBINOX Knifegate valve Series: EX Type: 5402 Cast iron Pneumatic operated Wafer type

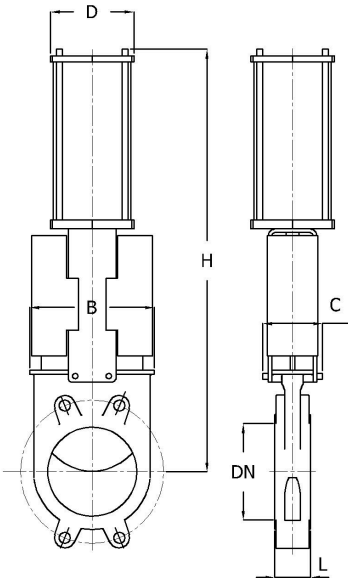
Characteristics

Series: EX
Type: 5402
Norm: EN (DIN)
Housing construction: 1-part
Housing material: Cast iron
Material quality: EN-JL1040
Surface protection: Epoxy coating (in- and external)
Connection: Wafer type
Operating principle: Double acting

Characteristics [2]

Type of sealing: Uni-directional
Spindle material: AISI 430
Material bracket: Steel epoxy coating
Actuator material: Aluminium (L2520)
Medium temperature: -10 / 80 °C

Size table:



DN	B	C	D	H	L	Cord length	Air supply connection	Weight
	mm	mm	mm	mm	mm	cm		kg
DN50	119	100	115	412	40	24	1/4"	9
DN65	134	100	115	454	40	29	1/4"	10
DN80	149	100	115	497	50	34	1/4"	11
DN100	169	100	115	558	50	41	1/4"	14
DN125	180	100	140	632	50	49	1/4"	20
DN150	210	100	140	708	60	57	1/4"	25
DN200	262	119	175	872	60	72	1/4"	44
DN250	318	122	220	1042	70	88	3/8"	67
DN300	372	122	220	1192	70	104	3/8"	82
DN350	431	197	277	1387	96	120	3/8"	135
DN400	486	197	277	1541	100	136	3/8"	165
DN450	540	201	382	1710	106	151	1/2"	220
DN500	602	201	382	1873	110	167	1/2"	280
DN600	708	201	382	2178	110	197	1/2"	330

Pressure temperature table*

Orifice	-10 < >20 °C	80 °C	100 °C	150 °C	200 °C	250 °C	300 °C	350 °C
DN50 - DN250	10.0 bar	10.0 bar	7.5 bar	6.8 bar	6.0 bar	5.6 bar	5.2 bar	5.0 bar
DN300 - DN400	6.0 bar	6.0 bar	4.5 bar	4.1 bar	3.6 bar	3.4 bar	3.1 bar	3.0 bar
DN450	5.0 bar	5.0 bar	3.8 bar	3.4 bar	3.0 bar	2.8 bar	2.6 bar	2.5 bar
DN500 - DN600	4.0 bar	4.0 bar	3.0 bar	2.0 bar	2.4 bar	2.2 bar	2.1 bar	2.0 bar

* Valid for liquids. For gases, the relevant PED category is to be consulted.

Disclaimer: The content of this document has been composed with the utmost care. However, it is possible that certain information changes over time, becomes inaccurate or incomplete. ERIKS does not guarantee that the information provided on this document is up to date, accurate and complete; the information provided is not intended to be advice. ERIKS shall never be liable for damage resulting from the use of the information provided.

Maximum temperature table sealing*			
Sealing material	Temperature ^{max}	Sealing material	Temperature ^{max}
EPDM	120 °C	Silicone	250 °C
NBR	120 °C	PTFE	250 °C
FKM	200 °C	Metall	350 °C

* Valid for liquids. For gases, the relevant PED category is to be consulted.

Nominal inner diameter	Pressure rating	Pressure rating flange	Face to Face norm	Face to Face length	Operation	Sealing	Plate material	Primary spindle seal material	Max. pressure at sliding plate	Article
				mm					bar	
DN50	PN10	PN10	Manufacturer standard	40	Pneumatic double acting	EPDM	1.4301	PTFE/EPDM	10	11813531
DN50	PN10	PN10	Manufacturer standard	40	Pneumatic double acting	NBR	1.4301	PTFE/NBR	10	14399483
DN65	PN10	PN10	Manufacturer standard	40	Pneumatic double acting	EPDM	1.4301	PTFE/NBR	10	14399484
DN65	PN10	PN10	Manufacturer standard	40	Pneumatic double acting	EPDM	1.4301	PTFE/EPDM	10	11813533
DN80	PN10	PN10	Manufacturer standard	50	Pneumatic double acting	EPDM	1.4301	PTFE/EPDM	10	11813535
DN80	PN10	PN10	Manufacturer standard	50	Pneumatic double acting	NBR	1.4301	PTFE/NBR	10	14399485
DN100	PN10	PN10	Manufacturer standard	50	Pneumatic double acting	EPDM	1.4301	PTFE/EPDM	10	11813537
DN100	PN10	PN10	Manufacturer standard	50	Pneumatic double acting	NBR	1.4301	PTFE/NBR	10	14399486
DN125	PN10	PN10	Manufacturer standard	50	Pneumatic double acting	EPDM	1.4301	PTFE/EPDM	10	11813539
DN125	PN10	PN10	Manufacturer standard	50	Pneumatic double acting	NBR	1.4301	PTFE/NBR	10	14399487
DN150	PN10	PN10	Manufacturer standard	60	Pneumatic double acting	EPDM	1.4301	PTFE/EPDM	10	11813541
DN150	PN10	PN10	Manufacturer standard	60	Pneumatic double acting	NBR	1.4301	PTFE/NBR	10	14399488
DN200	PN10	PN10	Manufacturer standard	60	Pneumatic double acting	EPDM	1.4301	PTFE/EPDM	10	11813543
DN200	PN10	PN10	Manufacturer standard	60	Pneumatic double acting	NBR	1.4301	PTFE/NBR	10	14086841
DN250	PN10	PN10	Manufacturer standard	70	Pneumatic double acting	EPDM	1.4301	PTFE/EPDM	10	11813545
DN250	PN10	PN10	Manufacturer standard	70	Pneumatic double acting	NBR	1.4301	PTFE/NBR	10	14399489
DN300	PN6	PN10	Manufacturer standard	70	Pneumatic double acting	EPDM	1.4301	PTFE/EPDM	6	11813547
DN300	PN6	PN10	Manufacturer standard	70	Pneumatic double acting	NBR	1.4301	PTFE/NBR	6	14399490
DN350	PN6	PN10	Manufacturer standard	96	Pneumatic double acting	EPDM	1.4301	PTFE/EPDM	6	11813549
DN400	PN6	PN10	Manufacturer standard	100	Pneumatic double acting	EPDM	1.4301	PTFE/EPDM	6	14399414
DN450	PN5	PN10	Manufacturer standard	106	Pneumatic double acting	EPDM	1.4301	PTFE/EPDM	5	14399416
DN500	PN4	PN10	Manufacturer standard	110	Pneumatic double acting	EPDM	1.4301	PTFE/EPDM	4	14399418
DN600	PN4	PN10	Manufacturer standard	110	Pneumatic double acting	EPDM	1.4301	PTFE/EPDM	4	14399420

Disclaimer: The content of this document has been composed with the utmost care. However, it is possible that certain information changes over time, becomes inaccurate or incomplete. ERIKS does not guarantee that the information provided on this document is up to date, accurate and complete; the information provided is not intended to be advice. ERIKS shall never be liable for damage resulting from the use of the information provided.