



ASAHI Diaphragm valve Series: 14 Type: 3770 PVDF Plastic welded end PN10

This is a dual-use or controlled item. When exporting this item outside the EU an export license is required from the regulatory authorities.

Characteristics

Series: 14

Type: 3770

Housing construction: A (Weir type)

Housing material: PVDF

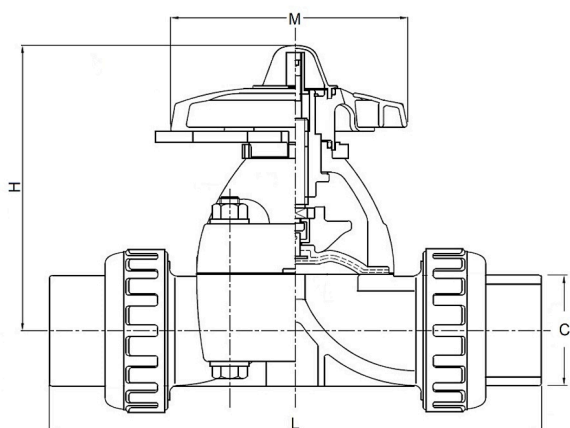
Connection: Plastic welded end

Face to Face norm: Manufacturer standard

Manual operation: Hand wheel

Application

- Recommended in: Chemical



Size table:

C	L	H	M	Weight
mm	mm	mm	mm	kg
20	150	104	100	0.6
25	172	106	100	0.7
32	195	111	100	1
40	212	116	100	1.2
50	276	177	156	2.7
63	307	191	156	3.1

Membrane material	External tube diameter of connection	Pressure rating	Face to Face length	Material bonnet	Actuator material	Minimum medium temperature [continuous]	Maximum medium temperature [continuous]	Kv value	Article
	mm		mm			°C	°C	m ³ /h	
PTFE/EPDM	20	PN10	150	PPG	PP	-40	120	4.1	13248735
PTFE/EPDM	25	PN10	172	PPG	PP	-40	120	4.6	13248736
PTFE/EPDM	32	PN10	195	PPG	PP	-40	120	7.3	13248737
PTFE/EPDM	40	PN10	212	PPG	PP	-40	120	9.5	13248738
PTFE/EPDM	50	PN10	276	PPG	PP	-40	120	22.5	13248739
PTFE/EPDM	63	PN10	307	PPG	PP	-40	120	37.2	13248740

Disclaimer: The content of this document has been composed with the utmost care. However, it is possible that certain information changes over time, becomes inaccurate or incomplete. ERIKS does not guarantee that the information provided on this document is up to date, accurate and complete; the information provided is not intended to be advice. ERIKS shall never be liable for damage resulting from the use of the information provided.